

**FETCO HOT WATER DISPENSER SERIES HWB-5, HWB-10, HWB-15, HWB-25  
LEGACY Commercial Hot Water Boilers Including IP44**



FETCO HWB-5;HWB-10;HWB-15;HWB-25

**LEGACY® line of Commercial Hot Water Dispensers**

- Stainless Steel Construction - Durable and Easy to Clean
- Thermally Insulated Hot Water Tank for Energy Savings and Increased Worker Safety
- Easy to Install, Adjust and Service
- Fully Automatic Water Heater with Digital Controls for Controlled Refill and No Recovery Time

**Perfect for High Volume Hot Water Dispensing:**

- BOH Kitchen Use
- Cafes and Tea Houses
- Hospitality / Volume Hot Beverage Production
- Beer & Kombucha Breweries

**CONTACT INFORMATION**

FETCO® FOOD EQUIPMENT TECHNOLOGIES COMPANY  
600 ROSE ROAD  
LAKE ZURICH • IL • 60047-0429 • USA  
INTERNET: [www.fetco.com](http://www.fetco.com)



fetco.com

©2008-2021 FOOD EQUIPMENT TECHNOLOGIES COMPANY

PATENTS: <https://www.fetco.com/pl/pages/patents,74.html>

PHONE: (800) 338-2699 (US & CANADA)

(847) 719-3000 (All Countries)

FAX: (847) 719-3001

EMAIL: [sales@fetco.com](mailto:sales@fetco.com)

[orders@fetco.com](mailto:orders@fetco.com) (to order parts and equipment)

[techsupport@fetco.com](mailto:techsupport@fetco.com) (all service queries)

Revised November 2021 P112



**HOT WATER DISPENSER SERIES HWB-5, HWB-10, HWB-15, HWB-25**

**TABLE OF CONTENTS**

|                                       |   |                                   |    |
|---------------------------------------|---|-----------------------------------|----|
| Specifications and Requirements ..... | 2 | Programming Instructions .....    | 6  |
| Rough-In Drawings .....               | 2 | Setting bias for pure water. .... | 7  |
| Capacities and Measurements .....     | 2 | Operator Training .....           | 7  |
| Electrical Rating Chart .....         | 3 | Cleaning & Maintenance .....      | 7  |
| Installation .....                    | 4 | Parts diagrams .....              | 9  |
| Installation-power connection .....   | 5 | Wiring diagrams .....             | 25 |
| Operating Procedures.....             | 5 |                                   |    |

## Specifications and Requirements

### Water Requirements:

HWB-2000 20-75 psig, (138-517kPa) 0.75gpm/(2.8 lpm)

Water supplied to hot beverage equipment should be filtered

Water supplied Hardness >100 TDS (5.5 grain)

**Water inlet fitting:** 3/8 inch male flare.

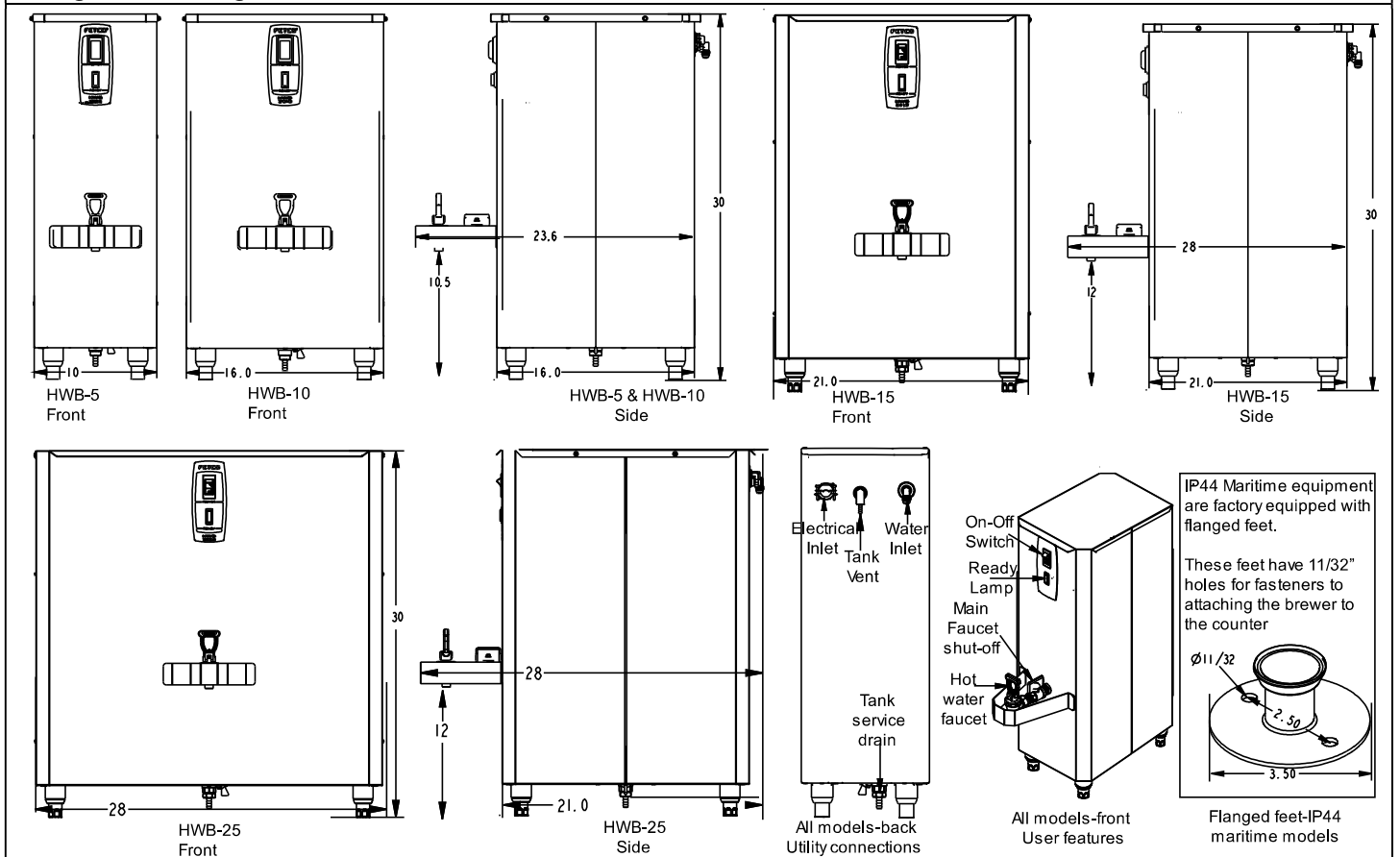
**Dispense Volume:** Software controls flowrate so that water dispensed is at programmed temperature.

**Temperature, as set by factory:**

200°F (93°C) inside water tank (at sea level)

**Electrical:** See electrical configuration chart.

## Rough-In Drawings



## NOTES

-Model designation indicates minimum flow rate per hour, e.g. HWB-5 is five gallons per hour

-All utility connections are from back of equipment. All electrical and water utility connections per local codes.

-Tank service drain (at bottom) must not be plumbed. It is for service or to drain tank to relocate equipment

-Tank vent must never be obstructed. It is for normalization of hot water tank pressure to fill and dispense water. The hot water tank is not pressurized - it is an atmospheric hot water dispense system. If a condensate drain is desired: use heavy wall or rigid tubing with a minimum 3/8 inch ID. Do not plumb to drain-leave a minimum 12" air gap to drain.

## Capacities and Measurements

| Model  | Height          | Width           | Depth                                       | Water tank capacity     | Empty Weight     | Filled Weight     | Shipping Weight   | Shipping Dimensions             |
|--------|-----------------|-----------------|---|-------------------------|------------------|-------------------|-------------------|---------------------------------|
| HWB-5  | 30 in<br>762 mm | 10 in<br>254 mm | 23 <sup>5</sup> / <sub>8</sub> in<br>599 mm | 6.0 gal<br>22.7 liter   | 58 lb<br>26.3 kg | 108 lb<br>49.0 kg | 65 lb<br>29.5 kg  | 32X12X27 inch<br>813X355X686 mm |
| HWB-10 | 30 in<br>762 mm | 16 in<br>406 mm | 23 <sup>5</sup> / <sub>8</sub> in<br>599 mm | 12 gal<br>45.3 liter    | 64 lb<br>29.0 kg | 163 lb<br>74.0 kg | 72 lb<br>32.7 kg  | 32X21X25 inch<br>813X533X635 mm |
| HWB-15 | 30 in<br>762 mm | 21 in<br>533    | 28 in<br>711 mm                             | 20.7 gal<br>78.2 liter  | 70 lb<br>31.7 kg | 243 lb<br>110 kg  | 105 lb<br>47.6 kg | 33X24X28 inch<br>840X610X710 mm |
| HWB-25 | 30 in<br>762 mm | 28 in<br>711 mm | 28 in<br>711 mm                             | 30.5 gal<br>115.5 liter | 119<br>53.9 kg   | 375 lb<br>170 kg  | 160 lb<br>72.5 kg | 33X37X32 inch<br>840X940X810 mm |

## Electrical Rating Chart

All HWB equipment below have terminal blocks for installation by user for corded or hardwired installation 50Hz or 60Hz  
 Note: discontinued HWB-5 and HWB-10 models included for reference purposes due to large population of this equipment in use and in the field for service and reselling

### HWB-5 5 Gallon Hot Water Dispenser

| Configuration Code      | Notes               | Heater Configuration | Wires † | Phase | Voltage Supplied | kW      | Maximum Amp draw | Gal/Hr |
|-------------------------|---------------------|----------------------|---------|-------|------------------|---------|------------------|--------|
| H05011                  | <i>discontinued</i> | 1 X 3.0 kW           | 3+G     | 1     | 120/208          | 2.3     | 11.3             | 5.6.   |
|                         |                     |                      |         |       | 120/220          | 2.5     | 12.0             | 6.5    |
|                         |                     |                      |         |       | 120/240          | 3.0     | 13.0             | 7.4    |
| H05021*<br>*Export only | <i>discontinued</i> | 1X4.0                | 2+G     | 1     | 220-240          | 3.4/4.0 | 15.8/17.2        | 7.4    |

### HWB-10 10 Gallon Hot Water Dispenser

| Configuration Code      | Notes               | Heater Configuration | Wires † | Phase | Voltage Supplied | kW      | Maximum Amp draw | Gal/Hr |
|-------------------------|---------------------|----------------------|---------|-------|------------------|---------|------------------|--------|
| H10011                  | <i>discontinued</i> | 2X3.0 kW             | 3+G     | 1     | 120/208          | 4.5     | 22.0             | 11.2   |
|                         |                     |                      |         |       | 120/220          | 5.0     | 23.4             | 12.9   |
|                         |                     |                      |         |       | 120/240          | 6.0     | 25.5             | 14.9   |
| H10021*<br>*Export only | <i>discontinued</i> | 2X3.0                | 2+G     | 1     | 220-240          | 5.0/6.0 | 23.4/25.5        | 14.9   |

### HWB-15 15 Gallon Hot Water Dispenser

| Configuration Code      | Notes | Heater Configuration | Wires † | Phase | Voltage Supplied | kW      | Maximum Amp draw | Gal/Hr    |
|-------------------------|-------|----------------------|---------|-------|------------------|---------|------------------|-----------|
| H15011                  |       | 2X3.0 kW             | 3+G     | 1     | 120/208          | 4.5     | 22.0             | 11.2      |
|                         |       |                      |         |       | 120/220          | 5.0     | 23.4             | 12.9      |
|                         |       |                      |         |       | 120/240          | 6.0     | 25.5             | 14.9      |
| H15021                  |       | 3X3.0 kW             | 4+G     | 3     | 120/208          | 6.8     | 19.3             | 16.7      |
|                         |       |                      |         |       | 120/220          | 7.6     | 20.3             | 19.4      |
|                         |       |                      |         |       | 120/240          | 9.0     | 22.2             | 22.3      |
| H15041*<br>*Export only |       | 3X3.0 kW             | 4+G     | 3     | 220-240/380-415  | 7.6-9.0 | 12.0-13.0        | 15.0-19.0 |

### HWB-25 25 Gallon Hot Water Dispenser

| Configuration Code      | Notes | Heater Configuration | Wires † | Phase | Voltage Supplied | kW        | Maximum Amp draw | Gal/Hr |
|-------------------------|-------|----------------------|---------|-------|------------------|-----------|------------------|--------|
| H25011                  |       | 6X3.0 kW             | 4+G     | 3     | 120/208          | 13.5      | 38.0             | 33.5   |
|                         |       |                      |         |       | 120/220          | 15.1      | 40.2             | 38.8   |
|                         |       |                      |         |       | 120/240          | 18.0      | 43.8             | 44.6   |
| H25021                  |       | 6X4.0 kW             | 4+G     | 3     | 120/208          | 18.0      | 50.5             | 44.6   |
|                         |       |                      |         |       | 120/220          | 20.2      | 53.4             | 51.8   |
|                         |       |                      |         |       | 120/240          | 24.0      | 58.2             | 59.5   |
| H25031*<br>*Export only |       | 6X3.0 kW             | 4+G     | 3     | 220-240/380-415  | 15.1-18.0 | 23.4-25.5        | 60.0   |

### IP44 Maritime HWB-5 5 Gallon Hot Water Dispenser

| Configuration Code | Notes             | Heater Configuration | Wires † | Phase | Voltage Supplied | kW   | Maximum Amp draw | Gal/Hr |
|--------------------|-------------------|----------------------|---------|-------|------------------|------|------------------|--------|
| H05041MIP          | IP44-<br>Maritime | 1 X 3.0 kW           | e2+G    | 1     | 220              | 2.5. | 12.0             | 6.5    |
|                    |                   |                      |         |       | 240              | 3.0  | 13.0             | 7.4    |

### IP44 Maritime HWB-10 10 Gallon Hot Water Dispenser

| Configuration Code | Notes             | Heater Configuration | Wires † | Phase | Voltage Supplied | kW  | Maximum Amp draw | Gal/Hr |
|--------------------|-------------------|----------------------|---------|-------|------------------|-----|------------------|--------|
| H10031MIP          | IP44-<br>Maritime | 2X3.0 kW             | e3+G    | 3     | 220              | 5.0 | 12.0             | 12.9   |
|                    |                   |                      |         |       | 240              | 6.0 | 13.0             | 14.9   |

† Wires "3+G" denotes a single phase, four wire bundle of L1; L2; .N (neutral) and a ground wire (domestic)  
 Wires "e3+G" denotes a three phase, four wire bundle of L1; L2; .L3 and a ground wire (export only)  
 Wires "4+G" denotes a WYE three phase, five wire bundle of L1; L2; L3; N and a ground wire (domestic)  
 Wires "e2+G" denotes an export brewer , three wire bundle of L1; L2; and a ground wire (export only)

## Installation

### Keys To A Successful Installation (For Qualified Service Technicians Only)

#### Electrical:

All FETCO dispensers require NEUTRAL. Ground is not an acceptable substitute. Installation without neutral, or attaching a powered lead, may cause damage to the electronic components.

The power connection to L1 on the terminal block must be at least 105 volts. Less than 105 volts will cause erratic behavior. Greater than 120 volts may damage the equipment.

The power switch has a built-in circuit breaker. To reset it, turn to the "off" position, and then back to the "on" position.

The wiring diagram for the dispenser is located on the inside of the cover.

#### Plumbing:

This equipment is to be installed to comply with the applicable federal, state, or local plumbing codes.

The water line must be flushed thoroughly prior to connecting it to the dispenser to prevent debris from contaminating the machine. All beverage equipment should use an inline water filter.

Verify that the water line will provide at least 2 gallons per minute before connecting it to the dispenser.

#### General:

Utilize only qualified beverage equipment service technicians for installation. A Service Company Directory may be found on our web site, <http://www.fetco.com>. Or at <https://www.fetco.com/pl.service-technicians.service.html>

Do not adjust the thermostat settings unless absolutely necessary. They are set at the factory for optimum performance.

### Installation Check List

The installation must comply with applicable federal, state, and local codes having jurisdiction at your location. Check with your local inspectors to determine what codes will apply to the installation and operation of FETCO products.

- 1) Verify that the actual voltage at the electrical service connection is compatible with the specifications on the dispenser's serial number plate. Make sure the electrical service includes **neutral**. Ensure at this time that the circuit breaker to the dispenser and the power switch on the dispenser are in the off position
- 2) The temperature and the water tank fill level are pre-set at the factory. There is no need to turn off the heaters during the installation process. The heaters are disabled by the liquid level control board until water is sensed. The heating process will start automatically when the tank has filled with water
- 3) Place the dispenser on a suitable counter or stand ( Note filled weights from chart on page 2)
- 4) When the dispenser is in position for use, level the dispenser front to back as well as side to side by adjusting the legs.
- 5) Remove the cover
- 6) Water connection

Water inlet is a 3/8 inch male flare fitting

The dispenser can be connected to a cold or hot water line. Cold water is preferred for best flavor, but hot water will allow for faster recovery times. Use of an in-line water filter is strongly recommended

Install a water shut off valve near the dispenser to facilitate service. If an in-line water filter is used, it should be installed after the water shut off valve and in a position to facilitate filter replacement.

Flush the water supply line and filter **before** connecting it to the dispenser.

Verify that the water line will provide at least 0.75 gallons per minute and that the water pressure is between 20 and 75 psig.

Use a wrench on the factory fitting when connecting the incoming water line. This will reduce stress on the internal connections and reduce the possibility of leaks developing after the installation has been completed.

#### 7) .Vent tube connection:

Vent tube connection is a 3/8 inch hose barb.

Tank vent must never be obstructed. It is to normalize the hot water tank pressure to fill and dispense water. The hot water tank is not pressurized - this is an atmospheric hot water dispense system. If a condensate drain is desired: use heavy wall or rigid tubing with a minimum 3/8 inch ID. Do not plumb to drain-leave a minimum 12" air gap to drain.



## Installation-power connection

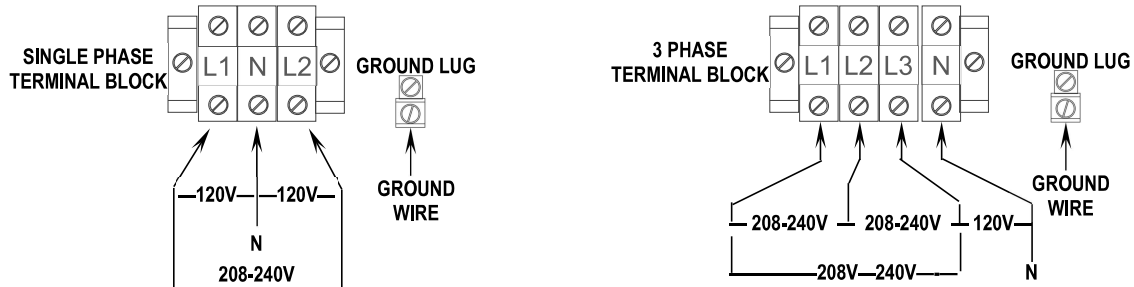
### 8) Power connection:

A fused disconnect switch or circuit breaker on the incoming power line must be conveniently located near the dispenser, and its location and markings known to the operators.

All dispensers require neutral. Damage to the dispenser may result if neutral is not present.

The body of the dispenser must be grounded to a suitable building ground. A ground lug is provided in the dispenser next to the power terminal block. Use only 10 gauge copper wire for grounding.

Electrical connections must be secured in-place within the unit to meet national and local standards



### Domestic Electrical Configurations

9) Turn on the incoming water supply line and inspect both inside and outside of the dispenser for leaks in all fittings and tubes.

10) Turn on the incoming power line and the dispenser's on/off switch.

Within 6 seconds, the hot water tank will begin filling until the water is sensed by the water probe at the top of the tank.

The heaters will be disabled until the water probe at the top of the tank senses water.

11) Review the programming instructions and make any necessary adjustments.

12) Re-attach the cover after one final inspection for leaks

## Operating Procedures

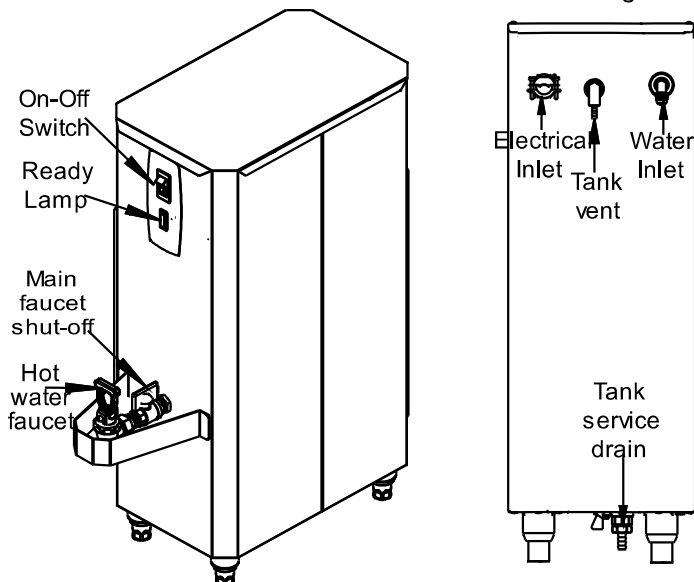
Turn the dispenser power switch to the "on" position. The power switch will illuminate to indicate that the dispenser has power and is operating.

When the ready light illuminates, the dispenser is fully up to temperature and ready to dispense hot water through the faucet. The amount of time required to gain full operating temperature will vary depending on the electrical configuration that was ordered, and the temperature of the incoming water.

### Safety Precautions:

Do not hang containers or any other object from the faucet or faucet guard.

Do not disassemble the faucet without closing the main faucet shut-off valve located behind the faucet.



NOTE: Never plumb to the tank service drain. This drain must be clear for service work or to empty the hot water tank during moving or relocating the equipment

## Programming Instructions

The display shows the current water tank temperature in degrees Celsius when in normal operating mode.

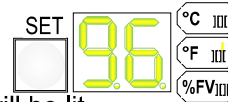
Temperature may be set in either Celsius or Fahrenheit.

Service note: Whenever the digital temperature probe is replaced, it will be necessary to reprogram all settings on the control board.

- 1) Remove the top cover of the unit.  
The control board is located on the left side near the front.

- 2) Turn the power switch **ON**.

- 3) Press and hold the **SET** button for 3 seconds. (see right→)



Temperature setting in °C will be displayed and °C indicator lamp will be lit.

To adjust, press and release **SET** quickly to advance one degree at a time. Range: 82-98 °C.

- 4) Press and hold **SET** for 3 seconds.

Temperature setting in °F will be displayed and °F indicator lamp will be lit.

To adjust, press and release **SET** quickly to advance one degree at a time. Range 180-208 °F.

Only the last 2 digits of the temperature will be displayed.

Example: 205°F is displayed as 96°C as shown

**NOTE!** Correct for altitude boiling point suppression to prevent boiling! See chart below.

The HWB unit and property will be damaged if hot water tank boils for any length of time.

- 5) Press and hold **SET** for 3 seconds. The fill valve % will be displayed and the %FV indicator lamp will be lit.

To adjust, press and release **SET** quickly to advance one percent at a time.

Refer to the chart below for the proper setting for your model and voltage.

Range: 15% – 100%.

- 6) The unit will automatically return to normal operating mode after 30 seconds without programming activity

## TEMPERATURE CONVERSION

| °C  | °F   |
|-----|------|
| 82  | 180  |
| 83  | 181  |
| 83  | 182  |
| 84  | 183  |
| 84  | 184  |
| 85  | 185  |
| 85  | 186  |
| 86  | 187  |
| 87  | 188  |
| 87  | 189  |
| 88  | 190  |
| 88  | 191  |
| 89  | 192  |
| 89  | 193  |
| 90  | 194  |
| 90  | 195  |
| 91  | 196  |
| 92  | 197  |
| 92  | 198  |
| 93  | 199  |
| 93  | 200  |
| 94  | 201  |
| 94  | 202  |
| 95  | 203  |
| 95  | 204  |
| ▶96 | 205◀ |
| 97  | 206  |
| 97  | 207  |
| 98  | 208  |

>Factory setting<  
96°C/205°F

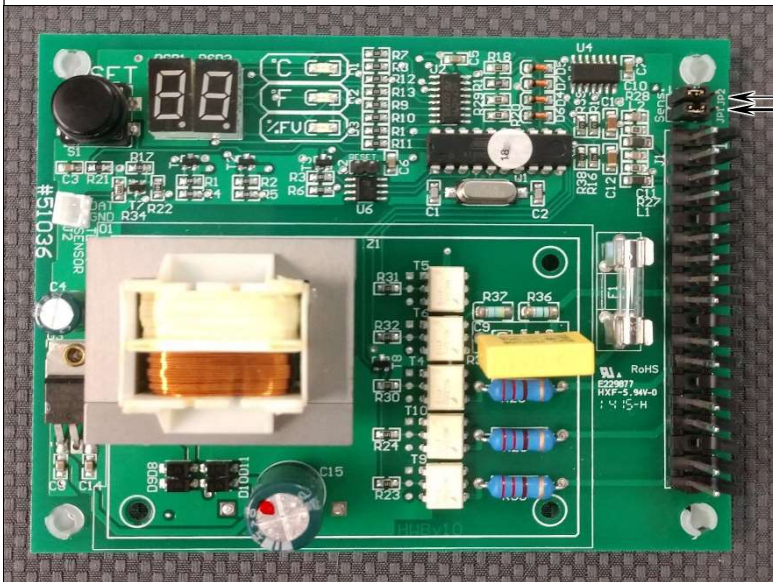
### 5) Reference table for percent flow value (%FV)

- A) Locate model and heater configuration
- B) Determine if three phase or single phase
- C) Locate output voltage (one of three shown)
- D) Input corresponding %FV setting to control board

| Model       | Heater Configuration | Actual (applied) Voltage | Phase  | %FV Setting |
|-------------|----------------------|--------------------------|--------|-------------|
| HWB-5 (-1)  | 1 X 3000 watt        | 120/208                  | single | 15          |
|             |                      | 120/220                  | single | 15          |
|             |                      | 120/240                  | single | 17          |
| HWB-10 (-1) | 2 X 3000 watt        | 120/208                  | single | 25          |
|             |                      | 120/220                  | single | 28          |
|             |                      | 120/240                  | single | 33          |
| HWB-15 (-1) | 2 X 3000 watt        | 120/208                  | single | 25          |
|             |                      | 120/220                  | single | 28          |
|             |                      | 120/240                  | single | 33          |
| HWB-15 (-2) | 3 X 3000 watt        | 120/208                  | three  | 37          |
|             |                      | 120/220                  | three  | 42          |
|             |                      | 120/240                  | three  | 50          |
| HWB-25 (-1) | 6 X 3000 watt        | 120/208                  | three  | 74          |
|             |                      | 120/220                  | three  | 83          |
|             |                      | 120/240                  | three  | 99          |
| HWB-25 (-2) | 6 X 4000 watt        | 120/208                  | three  | 99          |
|             |                      | 120/220                  | three  | 100         |
|             |                      | 120/240                  | three  | 100         |

| [ft] | [m]  | Suggested Setting[°F] | Boiling point[°F] | Suggested Setting[°C] | Boiling point [°C] |
|------|------|-----------------------|-------------------|-----------------------|--------------------|
| 0    | 0    | 205                   | 212.0             | 96                    | 100.0              |
| 500  | 152  | 205                   | 211.0             | 96                    | 99.5               |
| 1000 | 305  | 200                   | 210.1             | 93                    | 98.9               |
| 2000 | 610  | 200                   | 208.1             | 93                    | 97.8               |
| 2500 | 762  | 200                   | 207.2             | 93                    | 97.3               |
| 3000 | 914  | 200                   | 206.2             | 93                    | 96.8               |
| 3500 | 1067 | 197                   | 205.3             | 92                    | 96.3               |
| 4000 | 1219 | 195                   | 204.3             | 91                    | 95.7               |
| 4500 | 1372 | 194                   | 203.4             | 90                    | 95.2               |
| 5000 | 1524 | 194                   | 202.4             | 90                    | 94.7               |
| 5500 | 1676 | 193                   | 201.5             | 89                    | 94.2               |
| 6000 | 1829 | 192                   | 200.6             | 89                    | 93.6               |
| 6500 | 1981 | 191                   | 199.6             | 88                    | 93.1               |
| 7000 | 2134 | 190                   | 198.7             | 87                    | 92.6               |
| 7500 | 2286 | 188                   | 197.8             | 86                    | 92.1               |
| 8000 | 2438 | 187                   | 196.9             | 86                    | 91.6               |
| 8500 | 2591 | 185                   | 196.0             | 85                    | 91.1               |

## Setting bias for pure water.



The HWB can be set to detect high purity water by moving the two bias jumpers [JP1&JP2] to "HI"

High purity water is usually below 100TDS. The setting LOW is "normal" for most water change to "HIGH" for water treated by reverse osmosis "R.O."

NOTE: Change jumper position only with unit turned off and then removed from power.

Some very pure water, below 75-50 TDS may not detect well even when at the HI position

## Operator Training

Review the operating procedures with whoever will be using this equipment

### Pay particular attention to the following areas:

1. Show the location and operation of the water shut off valve as well as the circuit breaker for the equipment.
2. Steam from the tank will form condensation in the vent tube. This condensation will drip into and then out of the tank vent. Place an appropriate container under the vent.
3. We recommend leaving the power to the hot water dispenser on overnight. The water tank is well insulated and very little electricity is used to keep the tank hot. Leaving the equipment in the "ON" position will also avoid delays at the beginning of shifts for the hot water dispenser to reach operating temperature.

## Cleaning & Maintenance

### Every Day:

1. Use only a soft cloth and hot suds on the outside to avoid scratches. Never use abrasives that will scratch surface.
2. Never use spray cleaners, solvent, solvent based cleaner or petroleum based polish anywhere on dispensers

### Warning

1. Turn off power before any cleaning procedure, including wiping the exterior for appearance reasons.
2. Dry the exterior, especially the face panel, before turning on power.
3. Do not apply any type of spray cleaner on the face panel of this equipment.
4. Never use solvent or solvent-based cleaner or petroleum based polish anywhere on this equipment.
5. Dry the face of the touch pad before turning on power
6. Do not electrically energize this equipment or attempt operation without all covers in place and all screws fastened.
7. Unplug machine before disassembly or servicing.

### Safety Notes


1. Professional installation is required. This appliance is manufactured for commercial use only
2. Operational requirements and maintenance for commercial cooking appliances differ from household appliances.
3. Operators must be trained for this equipment and must understand the use, maintenance and hazards.
4. Access to the service area is restricted to persons having safety/hygiene knowledge and practical experience of the equipment. This appliance must be installed in locations where it can be overseen by adult trained personnel.
5. Do not attempt to move hot beverage equipment once it is filled. Drain equipment before moving.
6. FETCO commercial hot water dispensers prepare large amounts of very hot water

**Keep these instructions for training and future reference.**

**Installation safety and hygiene directions-for International and CE equipment**

1. Access to the service area is restricted to persons having safety/hygiene knowledge and practical experience of the equipment. This appliance must be installed in locations where it can be overseen by trained personnel.
2. For proper operation, this appliance must be installed indoors where the temperature is between 10°C/50°F to 35°C/95°F. Drain and remove all liquid from equipment and lines if exposed to freezing temperatures.
3. All commercial cooking equipment, including this unit, is not intended for use by children or persons with reduced physical, sensory, or mental capabilities. Ensure proper supervision of children and keep them away from the unit.
4. Children should be supervised to ensure that they do not play hot beverage equipment.
5. This unit must be installed and serviced by qualified personnel only.
6. Installation must conform to all local electrical and plumbing codes. Installation by unqualified personnel will void the unit warranty and may lead to electric shock or burn, as well as damage to unit and/or its surroundings.
7. Review the dimensions for the unit and verify that it will fit properly in the space intended for it. Verify that the counter or table will support the total weight of the hot water dispenser when filled (See: Technical Data).
8. Place the hot water dispenser on the counter or stand. When the equipment is in position, level it front to back as well as side-to-side by adjusting the legs.
9. This equipment requires a sturdy supported surface for operation. Do not move equipment when filled.
10. Do not tilt appliance more than 10° to insure safe operation.
11. Non IP-44 equipment is for protected indoor use only. Do not steam clean or apply excessive water on unit.
12. Non IP-44 equipment is not "jet-proof" construction. Do not pressure wash or use jet spray to clean this unit.
13. All FETCO equipment is not waterproof-do not submerge or saturate with water.


**Equipment exposed to flood and contaminated must not be used due to electrical and food safety. Do not operate if unit has been submerged or saturated with water.**











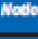


**WARNING**

All electrical connections must be in accordance with local electrical codes and any other applicable codes. If the supply cord is damaged, it must be replaced by the manufacturer, its service agent, or similarly qualified persons in order to avoid a hazard.

To prevent an electric shock hazard this device must be bonded to equipment in close proximity with an equipotential bonding conductor. This device is equipped with a bonding lug for this purpose and is marked with the following symbol

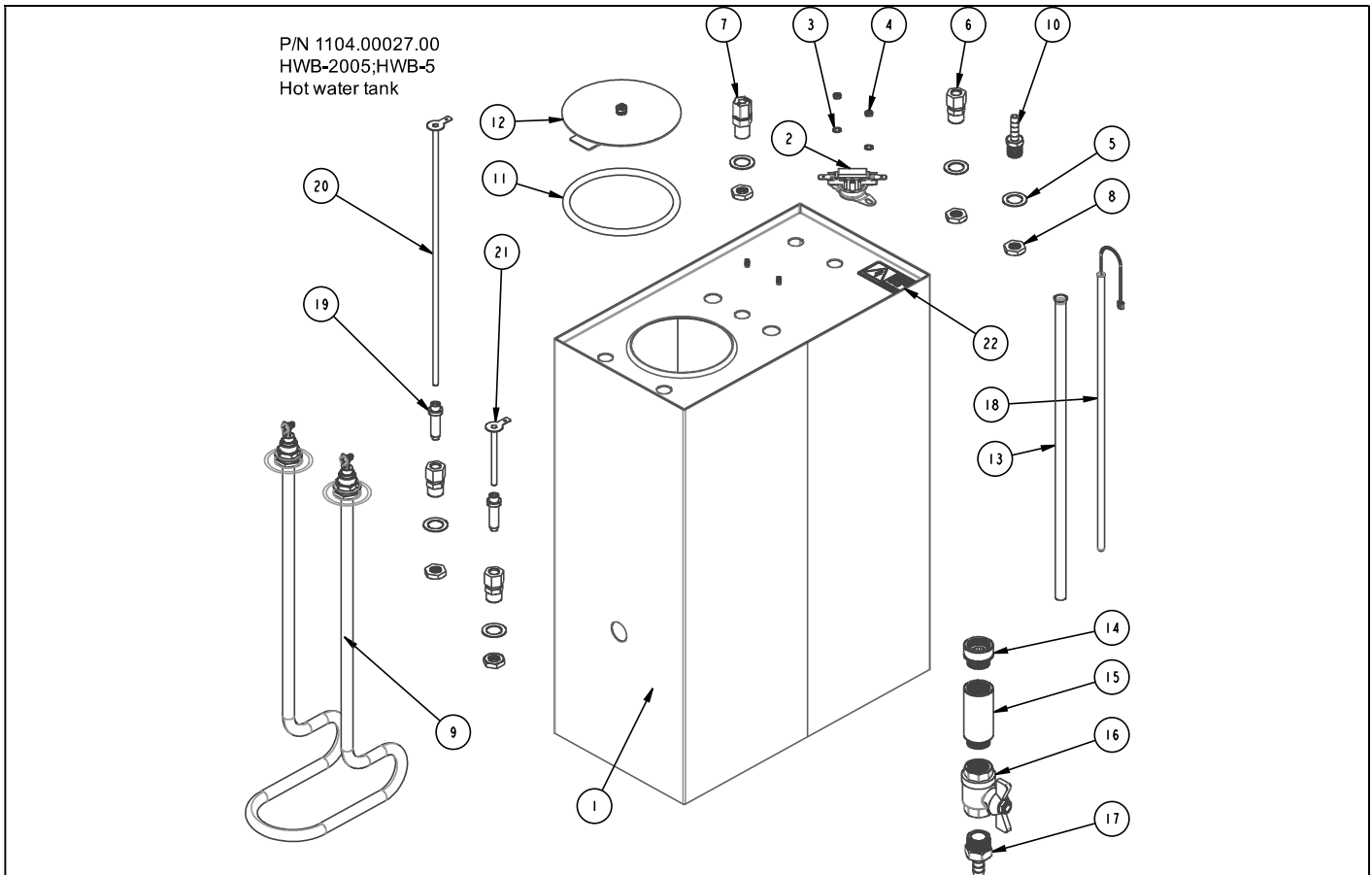


|   |                |   |
|---|----------------|---|
|  | <b>WARNING</b> | To reduce risk of electric shock or fire.   |
|  |                | FETCO® Hot Beverage Equipment is for commercial use only.   |
|  |                | Do not remove or open cover. No user serviceable parts inside. Refer installation and service to qualified personnel.   |
|  |                | Caution, disconnect from power supply before servicing.   |
|  |                | GROUND: National Electrical Code requires separate grounding wire.  |
|  |                | Use dedicated circuit with capacity rated by local code or National Electrical Code for the current draw of this equipment. Check serial number plate on right side for power requirements. |
|  |                | Locate unit away from source of heat. Do not install or use near combustibles.  |
|  |                | <b>THIS APPLIANCE IS ENERGIZED WHENEVER IT IS CONNECTED TO A POWER SOURCE</b>   |
|  |                | <b>FAILURE TO COMPLY RISKS EQUIPMENT DAMAGE, PROPERTY DAMAGE, FIRE, OR SHOCK HAZARD</b>   |
|  | <b>Notice</b>  | This equipment must be installed with a backflow protection device to comply with federal, state or local municipality codes.   |
|  | <b>Notice</b>  | Read the user guide before installing and operating this unit.  |

Labels and warnings for hot beverage equipment

Label for BACK PANEL of equipment (1046.00035.00)

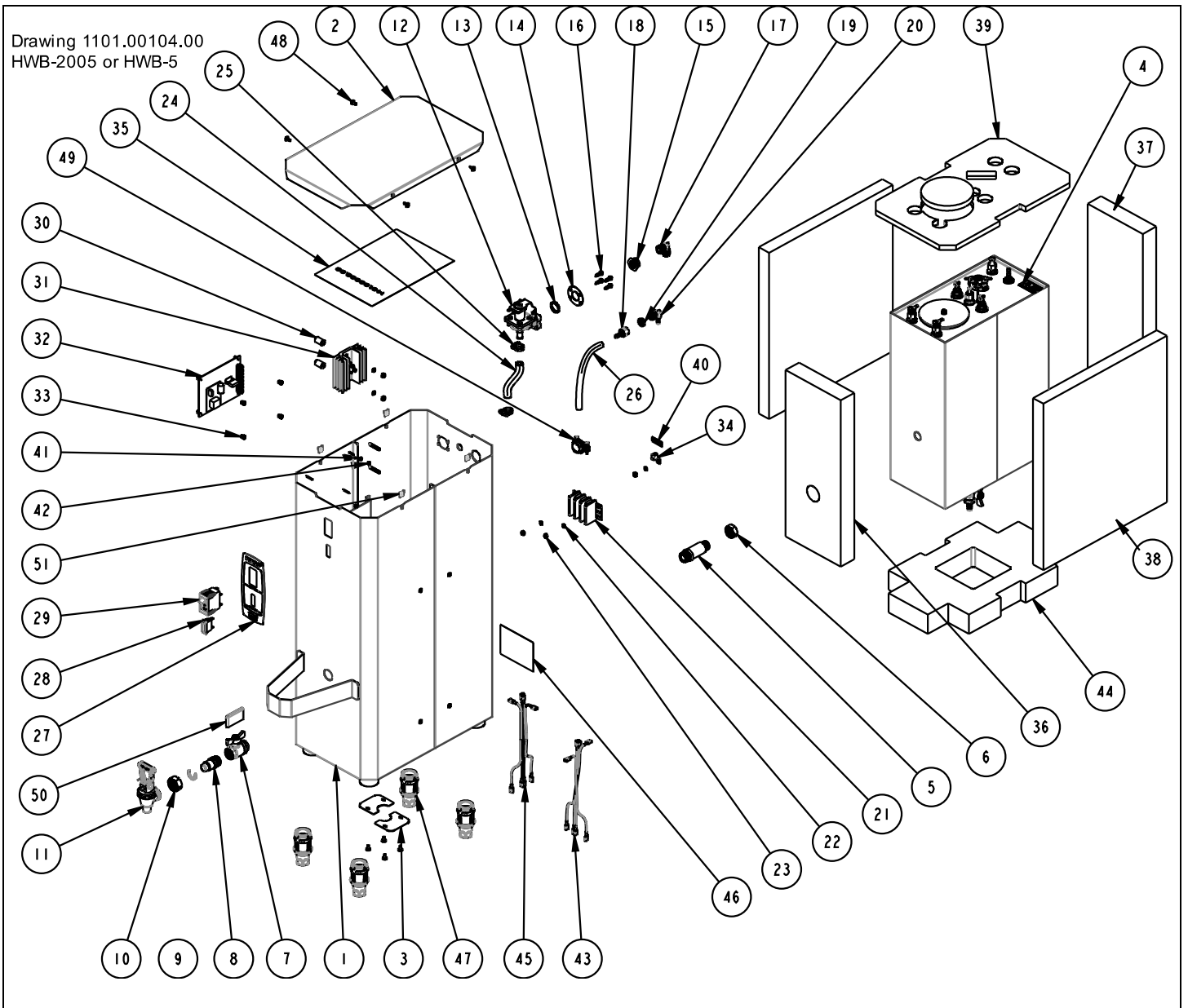
## Parts diagrams



Complete HWB-2005 IP44; and HWB-5 HOT WATER TANK ASSY, Part number 1104.00027.00

| #  | Qty | PART NO              | DESCRIPTION   |
|----|-----|----------------------|---|
| 1  | 1   | 1114.00038.00        | TANK WELDMENT, HWB-2005                               |
| 2  | 1   | 1053.00051.00        | THERMOSTAT, SINGLE SHOT, 240V/25A                     |
| 3  | 2   | 1083.00009.00        | WASHER, #6 SCREW , INTL TOOTH LOCKWASHER              |
| 4  | 2   | 1084.00010.00        | NUT, HEX, #6-32, UNDERSIZED, ZINC PLATED              |
| 5  | 5   | 1083.00006.00        | WASHER, .875" OD X 0.562" ID FLAT                     |
| 6  | 3   | 1031.00006.00        | FITTING, COMP., 3/8 TUBE OD X 1/4 MPT                 |
| 7  | 1   | 1025.00001.00        | FITTING, COMPRESSION MALE CONNECTOR                   |
| 8  | 5   | 1031.00007.00        | LOCKNUT, 1/4 STRAIGHT PIPE THREAD                     |
| 9  | 1   | <b>1107.00006.00</b> | <b>HEATER ASSY, IMMERSION, 3000W/240VAC, HWB-2000</b> |
| 9  | 1   | <b>1107.00007.00</b> | <b>HEATER ASSY, IMMERSION, 4000W/240VAC, HWB-2000</b> |
| 10 | 1   | 1031.00054.00        | FITTING, BARB, 1/4" HOSE ID X 1/4" MALE PIPE          |
| 11 | 1   | 1024.00007.00        | O-RING, DASH #344, TANK COVER                         |
| 12 | 1   | 1102.00007.00        | TANK COVER ASSEMBLY                                   |
| 13 | 1   | 1032.00003.00        | TUBE, 3/8"OD X 13" LG, COLD WATER INLET, HWB-2000     |
| 14 | 1   | 1031.00014.00        | FITTING, EXTENSION 1/2"FPT x 1/2" MPT x 0.45"LG       |
| 15 | 1   | 1031.00015.00        | FITTING, EXTENSION 1/2"FPT x 1/2" MPT x 2.00"LG       |
| 16 | 1   | 1034.00001.00        | VALVE, BALL, 1/2" FPT X 1/2" FPT                      |
| 17 | 1   | 1031.00013.00        | FITTING, HOSE BARB 3/8" x 1/2" MPT                    |
| 18 | 1   | 1102.00025.00        | PROBE ASSEMBLY, DIGITAL TEMPERATURE, 12.0" LG         |
| 19 | 2   | 1021.00002.00        | HOUSING, WATER LEVEL PROBE                            |
| 20 | 1   | 1112.00030.00        | PROBE WELDMENT, WATER LEVEL, 11.25" LONG              |
| 21 | 1   | 1112.00029.00        | PROBE WELDMENT, WATER LEVEL, 2.50" LONG               |
| 22 | 1   | 1044.00004.00        | LABEL, DANGER, HIGH VOLTAGE                           |

Drawing 1101.00104.00  
 HWB-2005 or HWB-5



**NOTE**

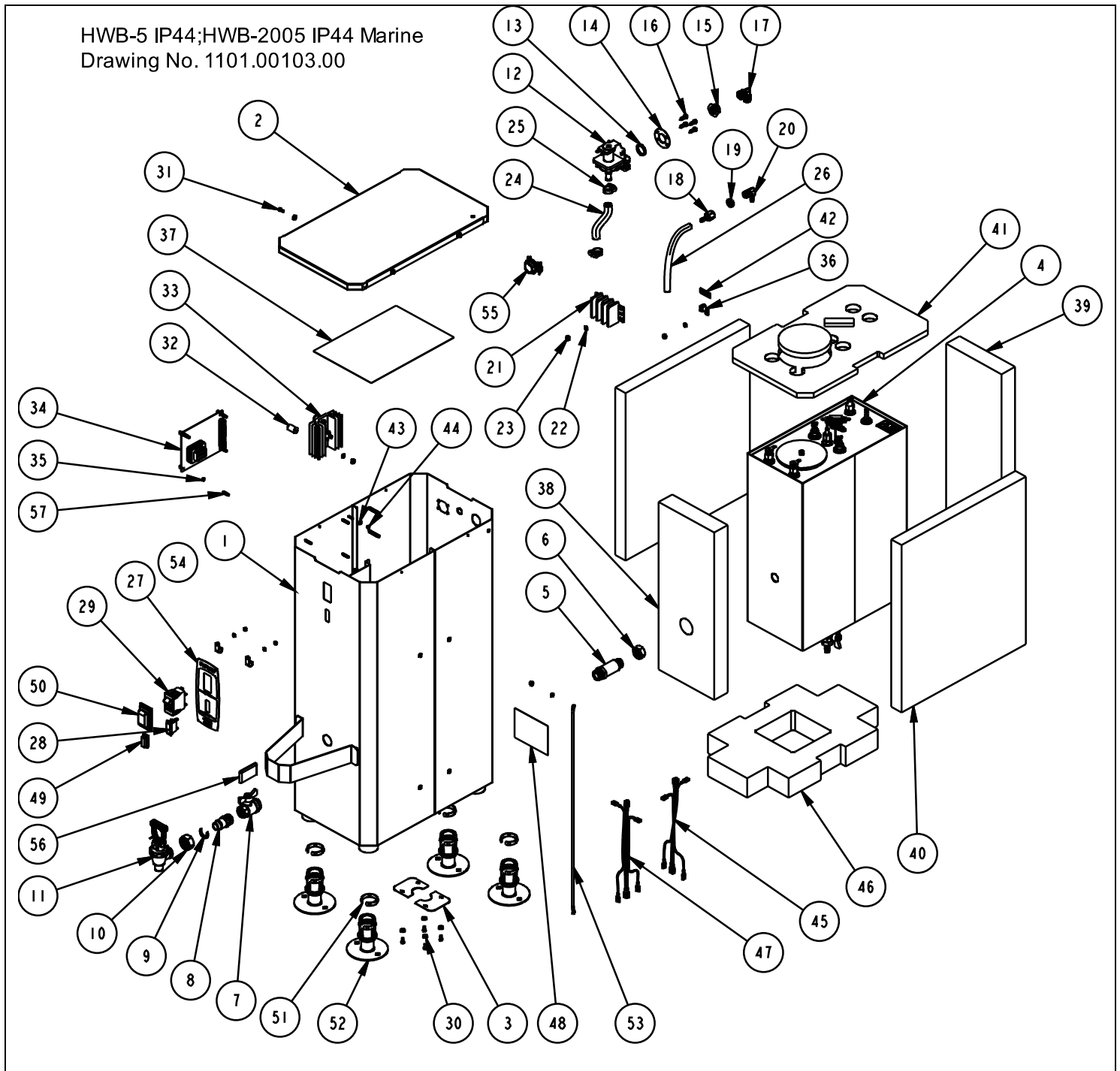
The proper controls voltage for domestic (Americas) equipment are 120Vac. Domestic equipment is marked 120/208-240VAC to signify that the first voltage, the 120 Volt is 120 volts for the controls and inlet valve. This configuration also requires a NEUTRAL wire in the wiring bundle. The 208-240VAC of the 120/220-240 rating is for the heaters.

Brewers and parts marked as EXPORT are only for use in non-Americas equipment. EXPORT equipment and IP-44 Maritime equipment have 240 volt control boards and inlet valves. The 240 volt control boards and inlet valves are only for use in equipment marked EXPORT or IP-44 Maritime. This equipment does not require a NEUTRAL in the wiring bundle and is not used for domestic (Americas) equipment



| Ref | Qty | Part Number    | Description  | Drawing 1101.00104.00 HWB-2005 or HWB-5 |
|-----|-----|----------------|--|---|
| 1   | 1   | 1111.00020.00  | BODY, WELDMENT, HWB-2005, STANDARD                                       |   |
| 2   | 1   | 1001.00070.00  | COVER, TOP, HWB-2005   |   |
| 3   | 2   | 1003.00030.00  | COVER, DRAIN OPENING, HWB'S  |   |
| 4   | 1   | 1104.00027.00  | TANK ASSEMBLY, HWB-2005, 1 x 3kW/240VAC (see detailed drawing on page 9) |   |
| 5   | 1   | 1013.00019.00  | SHANK REAR HWB-2000  |   |
| 6   | 1   | 1013.00020.00  | LOCKNUT, SHANK, 3/4-20   |   |
| 7   | 1   | 1034.00001.00  | VALVE, BALL, 1/2" HWB-2000   |   |
| 8   | 1   | 1013.00017.00  | SHANK FRONT HWB-2000   |   |
| 9   | 1   | 1071.00012.00  | C-RING, FOR TOMLINSON FAUCET   |   |
| 10  | 1   | 1012.00002.00  | NUT, FAUCET UNION TPD/HWB  |   |
| 11  | 1   | 1071.00011.00  | FAUCET, COMPLETE W/RED HANDLE, HWB-2000                                  |   |
| 12  | 1   | 1057.00006.00  | VALVE, S-53, 120VAC 50/60HZ, 0.75GPM ±15%                                |   |
| 12  | 1   | 1057.00044.00  | FILL VALVE, S53, .75 GPM, 240VAC EXP <b>EXPORT ONLY</b>                  |   |
| 13  | 1   | 1024.00020.00  | GASKET, S-53 FILL VALVE  |   |
| 14  | 1   | 1003.00019.00  | BRACKET, S-53  |   |
| 15  | 1   | 1031.00004.00  | FITTING, S-53 FILL VALVE INLET   |   |
| 16  | 4   | 1082.00019.00  | SCREW, S-53 FILL VALVE   |   |
| 17  | 1   | 1031.00005.00  | FITTING, 90° MALE ELBOW, 3/8 OD TUBE X 3/8 NPT                           |   |
| 18  | 1   | 1031.00017.00  | FITTING, BARB 1/4" HOSE ID x 1/4" FPT                                    |   |
| 19  | 1   | 1031.00007.00  | LOCKNUT, 1/4 STRAIGHT PIPE THREAD  |   |
| 20  | 1   | 1031.00016.00  | FITTING, 90° ELBOW, 1/4" HOSE ID X 1/4" MPT                              |   |
| 21  | 1   | 1052.00010.00  | TERMINAL BLOCK, 3 POLE, 30 AMP, 10-22 AWG                                |   |
| 22  | 5   | 1083.00011.00  | WASHER, #8 SCREW SIZE, INTERNAL TOOTH LOCK                               |   |
| 23  | 5   | 1084.00006.00  | NUT, 8-32 18-8 HEX MACHINE SCREW   |   |
| 24  | 1   | 1025.00013.00  | TUBE, 5/8"OD X 3/8"ID X 4.5"LG,COLD WATER, HWB-2000                      |   |
| 25  | 2   | 1086.00001.00  | CLAMP, HOSE, 15.0-17.2 DIA RANGE   |   |
| 26  | 1   | 1025.00014.00  | TUBE, 1/2"OD X 1/4"ID X 7.0"LG VENT. HWB-2000                            |   |
| 27  | 1   | 1045.00013.00  | OVERLAY, HWB-2005  |   |
| 28  | 1   | 1058.00004.00  | LAMP, "READY" INDICATOR, GREEN, 110 VAC                                  |   |
| 29  | 1   | 1052.00003.00  | BREAKER, CIRCUIT, 240VAC, ROCKER SWITCH, 6AMP                            |   |
| 30  | 2   | 1029.00007.00. | SPACER, #8 SCREW, 1/2" OD X 3/4" LG, RND UNTHR                           |   |
| 31  | 1   | 1102.00026.00  | SINK, HEAT, ASSEMBLY, HWB-2000   |   |
| 32  | 1   | 1108.00013.00  | CTRL BOARD AND SOFTWARE ASSY, HWB-2000, 120VAC                           |   |
| 32  | 1   | 1108.00012.00  | CTRL BOARD AND SOFTWARE ASSY, HWB-2000, 230VAC <b>EXPORT ONLY</b>        |   |
| 33  | 4   | 1029.00006.00  | NUT, FINGER, #4-40 NYLON   |   |
| 34  | 1   | 1065.00002.00  | CONNECTOR, COPPER LUG  |   |
| 35  | 1   | 1401.00008.00  | WIRING DIAGRAM, HWB-5, 120/208-240VAC, N, L1, L2 + GND                   |   |
| 36  | 1   | 1022.00044.00  | INSULATION, TANK FRONT, HWB-2005   |   |
| 37  | 1   | 1022.00045.00  | INSULATION, TANK BACK, HWB-2005  |   |
| 38  | 2   | 1022.00043.00  | INSULATION, TANK, SIDE, HWB-2005/2010                                    |   |
| 39  | 1   | 1022.00041.00  | INSULATION, TANK TOP, HWB-2005   |   |
| 40  | 1   | 1044.00003.00  | LABEL GROUND   |   |
| 41  | 1   | 1083.00009.00  | WASHER, #6 SCREW , INTL TOOTH LOCKWASHER                                 |   |
| 42  | 1   | 1084.00010.00  | NUT, HEX, #6-32, UNDERSIZED, ZINC PLATED                                 |   |
| 43  | 1   | 1402.00022.00  | HARNESS, LOW AMP, HWB-5, IP44 HALOGEN FREE                               |   |
| 44  | 1   | 1022.00042.00  | INSULATION, TANK BOTTOM, HWB-2005  |   |
| 45  | 1   | 1402.00023.00  | HARNESS, HIGH AMP, HWB-5, IP44, HALOGEN FREE                             |   |
| 46  | 1   | 1042.00006.00  | LABEL, 4" X 3" SERIAL NUMBER   |   |
| 47  | 4   | 1102.00027.00  | INSERT, LEG, ASSEMBLY, HWB-2000  |   |
| 48  | 8   | 1082.00023.00  | SCREW, #8-32 X 3/8 TRUSS HD PHIL., MACHINE                               |   |
| 49  | 1   | 1086.00008.00  | CONNECTOR, CABLE CLAMP, 3/4"   |   |
| 50  | 1   | 1024.00022.00  | GRIP, FLAT, RED (.25 x 2.00 x 1.13)                                      |   |
| 51  | 4   | 1084.00028.00  | NUT, CLIP ON (J-NUT), #8-32, 20 GA., BLACK-PHOSPHATE FINISH              |   |

HWB-5 IP44;HWB-2005 IP44 Marine  
 Drawing No. 1101.00103.00



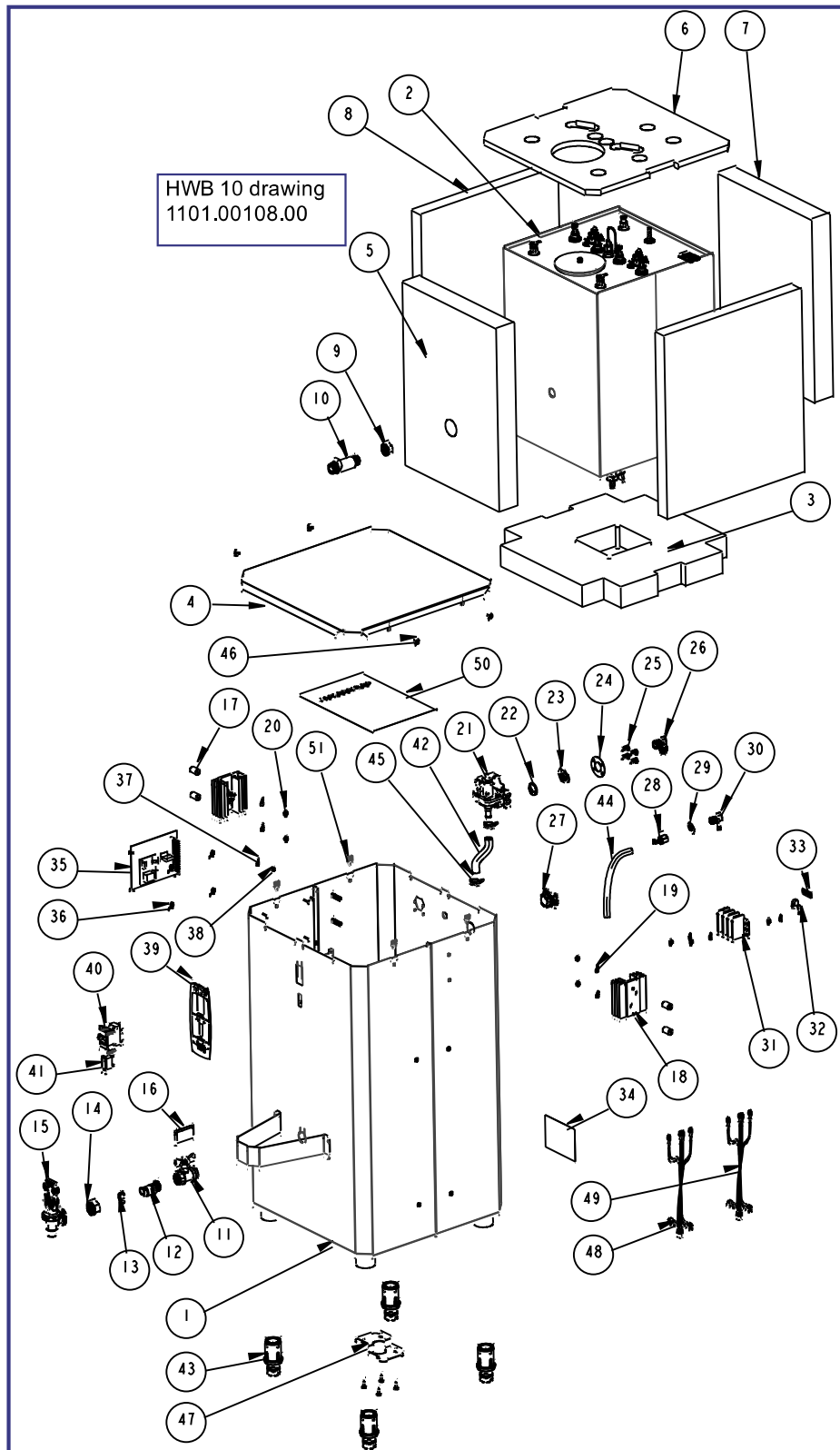
**NOTE**

The proper controls voltage for domestic (Americas) equipment are 120Vac. Domestic equipment is marked 120/208-240VAC to signify that the first voltage, the 120 Volt is 120 volts for the controls and inlet valve. This configuration also requires a NEUTRAL wire in the wiring bundle. The 208-240VAC of the 120/220-240 rating is for the heaters.

Brewers and parts marked as EXPORT are only for use in non-Americas equipment. EXPORT equipment and IP-44 Maritime equipment have 240 volt control boards and inlet valves. The 240 volt control boards and inlet valves are only for use in equipment marked EXPORT or IP-44 Maritime. This equipment does not require a NEUTRAL in the wiring bundle and is not used for domestic (Americas) equipment



| <b>HWB-2005 or HWB-5 HWB-5 IP44 EXPORT ONLY, Not for Americas</b> |     |                |  |
|---|-----|----------------|--|
| Ref   | Qty | Part Number    | Description Drawing 1101.00103.00 HWB-2005 EXPORT HWB-5 IP44 Marine      |
| 1   | 1   | 1111.00019.00  | BODY, WELDMENT, HWB-2005, IP44   |
| 2   | 1   | 1112.00124.00  | WELDMENT, TOP COVER, HWB-2005, IP44                                      |
| 3   | 2   | 1003.00030.00  | COVER, DRAIN OPENING, HWB'S  |
| 4   | 1   | 1104.00027.00  | TANK ASSEMBLY, HWB-2005, 1 x 3kW/240VAC (see detailed drawing on page 9) |
| 5   | 1   | 1013.00019.00  | SHANK REAR HWB-2000  |
| 6   | 1   | 1013.00020.00  | LOCKNUT, SHANK, 3/4-20   |
| 7   | 1   | 1034.00001.00  | VALVE, BALL, 1/2" FPT X 1/2" FPT   |
| 8   | 1   | 1013.00017.00  | SHANK FRONT HWB-2000   |
| 9   | 1   | 1071.00012.00  | C-RING, FOR TOMLINSON FAUCET   |
| 10  | 1   | 1012.00002.00  | NUT, FAUCET UNION TPD/HWB  |
| 11  | 1   | 1071.00011.00  | FAUCET, COMPLETE W/RED HANDLE, HWB-2000                                  |
| 12  | 1   | 1057.00044.00  | FILL VALVE, S53, .75 GPM, 240VAC <b>EXPORT ONLY</b>                      |
| 13  | 1   | 1024.00020.00  | GASKET, S-53 FILL VALVE  |
| 14  | 1   | 1003.00019.00  | BRACKET, S-53  |
| 15  | 1   | 1031.00004.00  | FITTING, S-53 FILL VALVE INLET   |
| 16  | 4   | 1082.00019.00  | SCREW, S-53 FILL VALVE   |
| 17  | 1   | 1031.00005.00  | FITTING, 90° MALE ELBOW, 3/8 OD TUBE X 3/8 NPT                           |
| 18  | 1   | 1031.00017.00  | FITTING, BARB 1/4" HOSE ID x 1/4" FPT                                    |
| 19  | 1   | 1031.00007.00  | LOCKNUT, 1/4 STRAIGHT PIPE THREAD  |
| 20  | 1   | 1031.00016.00  | FITTING, 90° ELBOW, 1/4" HOSE ID X 1/4" MPT                              |
| 21  | 1   | 1052.00010.00  | TERMINAL BLOCK, 3 POLE, 30 AMP, 10-22 AWG                                |
| 22  | 6   | 1083.00011.00  | WASHER, #8 SCREW SIZE, INTERNAL TOOTH LOCK                               |
| 23  | 6   | 1084.00006.00  | NUT, 8-32 18-8 HEX MACHINE SCREW   |
| 24  | 1   | 1025.00013.00  | TUBE, 5/8"OD X 3/8"ID X 4.5"LG   |
| 25  | 2   | 1086.00001.00  | CLAMP, HOSE, .590" - .673" DIA RANGE                                     |
| 26  | 1   | 1025.00014.00  | TUBE, 1/2"OD X 1/4"ID X 7.0"LG VENT. HWB-2000                            |
| 27  | 1   | 1045.00013.00  | OVERLAY, HWB-2005  |
| 28  | 1   | 1058.00018.00  | LAMP "READY" INDICATOR GREEN, 230VAC                                     |
| 29  | 1   | 1052.00003.00  | BREAKER, CIRCUIT, 240VAC, ROCKER SWITCH, 6AMP                            |
| 30  | 8   | 1083.00010.00  | WASHER, #10 SCREW W/NEOPRENE-BONDED SEAL                                 |
| 31  | 8   | 1082.00063.00  | SCREW, # 8-32 x 3/8", HEX HD, MS, 18-8 SS                                |
| 32  | 2   | 1029.00007.00  | SPACER, #8 SCREW, 1/2" OD X 3/4" LG, RND UNTHR.                          |
| 33  | 1   | 1102.00026.00  | SINK, HEAT, ASSEMBLY, HWB-2000   |
| 34  | 1   | 1108.00012.00  | CTRL BOARD AND SOFTWARE ASSY, HWB-2000, 230VAC <b>EXPORT ONLY</b>        |
| 35  | 4   | 1083.00029.00  | LOCKWASHER, #4 SCREW SIZE, INTERNAL TOOTH                                |
| 36  | 1   | 1065.00002.00  | CONNECTOR, COPPER LUG  |
| 37  | 1   | 1401.00010.00  | WIRING DIAGRAM, HWB-5, UNIVERSAL, L1, L2, + GND                          |
| 38  | 1   | 1022.00044.00  | INSULATION, TANK FRONT, HWB-2005   |
| 39  | 1   | 1022.00045.00  | INSULATION, TANK BACK, HWB-2005  |
| 40  | 2   | 1022.00043.00  | INSULATION, TANK, SIDE, HWB-2005/2010                                    |
| 41  | 1   | 1022.00041.00  | INSULATION, TANK TOP, HWB-2005   |
| 42  | 1   | 1044.00003.00  | LABEL GROUND   |
| 43  | 3   | 1083.00009.00  | WASHER, #6 SCREW, INTL TOOTH LOCKWASHER                                  |
| 44  | 3   | 1084.00010.00  | NUT, HEX, #6-32, UNDERSIZED, ZINC PLATED                                 |
| 45  | 1   | 1402.00022.00  | HARNESS, LOW AMP, HWB-5, IP44 HALOGEN FREE                               |
| 46  | 1   | 1022.00042.00  | INSULATION, TANK BOTTOM, HWB-2005  |
| 47  | 1   | 1402.00023.00  | HARNESS, HIGH AMP, HWB-5, IP44, HALOGEN FREE                             |
| 48  | 1   | 1042.00006.00  | LABEL, 4" X 3" SERIAL NUMBER   |
| 49  | 1   | 1052.00012.00  | PROTECTIVE COVER, READY LAMP, IP44                                       |
| 50  | 1   | 1052.00011.00  | PROTECTIVE COVER, POWER SWITCH IP44                                      |
| 51  | 4   | 1073.00004.00  | POSI-GRIP LOCKING RING   |
| 52  | 4   | 1073.00005.00) | INSERT, LEG, W/RING, (FLANGED  |
| 53  | 1   | 1402.00024.00  | GROUND WIRE, HALOGEN FREE  |
| 54  | 2   | 1086.00024.00  | CABLE CLAMP, 0.375" DIA, NYLON   |
| 55  | 1   | 1086.00008.00  | CONNECTOR, CLAMP, NON-METALLIC CABLE, 3/4"                               |
| 56  | 1   | 1024.00022.00  | GRIP, FLAT, RED (.25 x 2.00 x 1.13)                                      |
| 57  | 4   | 1084.00023.00  | STANDOFF, MALE/FEMALE, ALUM., THREADED HEX #4-40                         |



**NOTE**

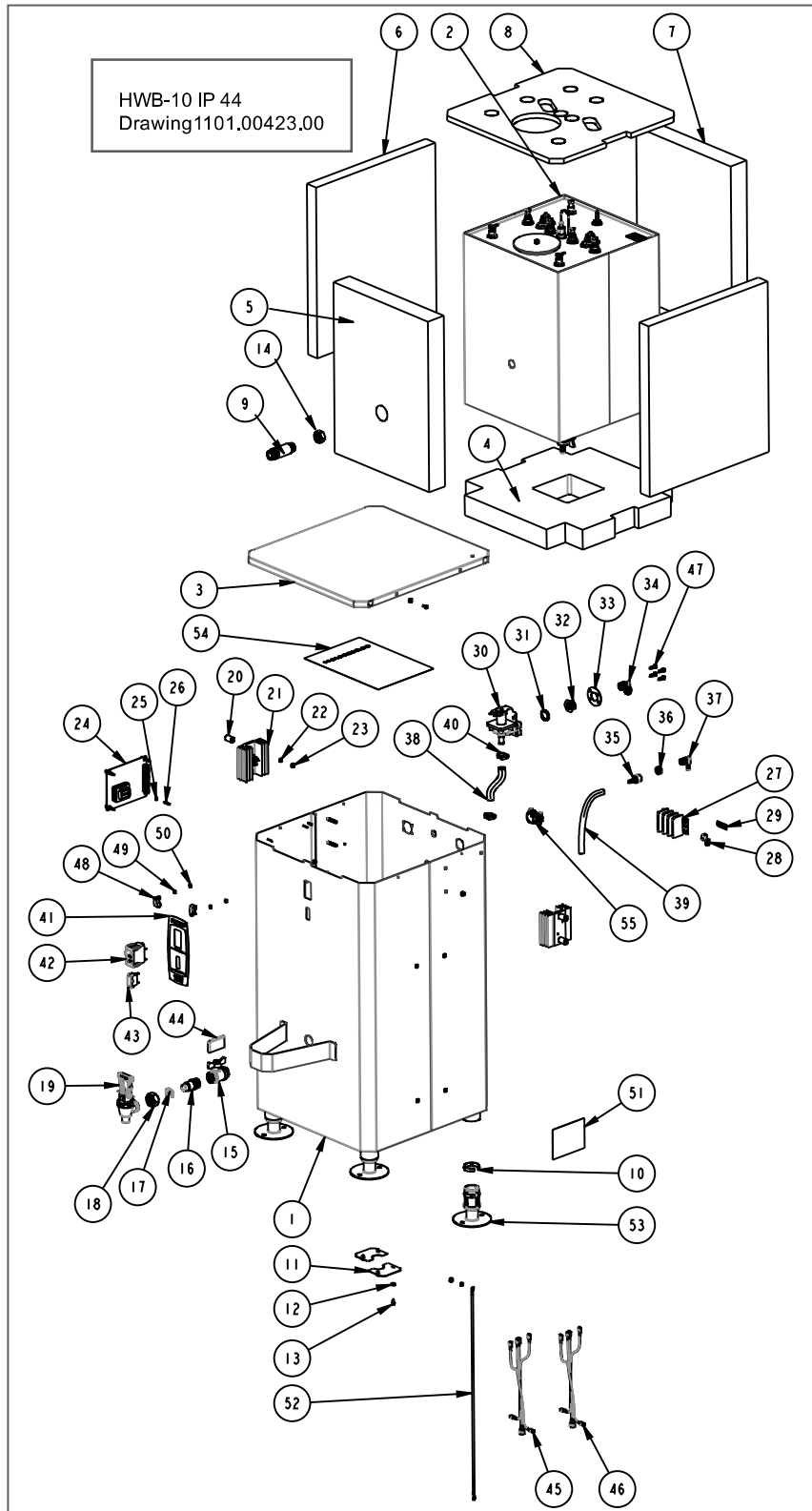
The proper controls voltage for domestic (Americas) equipment are 120Vac.

Domestic equipment is marked 120/208-240VAC to signify that the first voltage, the 120 Volt is 120 volts for the controls and inlet valve. This configuration also requires a NEUTRAL wire in the wiring bundle. The 208-240VAC of the 120/220-240 rating is for the heaters.

Brewers and parts marked as EXPORT are only for use in non-Americas equipment.

EXPORT equipment and IP-44 Maritime equipment have 240 volt control boards and inlet valves. The 240 volt control boards and inlet valves are only for use in equipment marked EXPORT or IP-44 Maritime. This equipment does not require a NEUTRAL in the wiring bundle and is not used for domestic (Americas) equipment

| #  | Qty | PART NO       | DESCRIPTION   | Drawing Number | 1101.00108.00 HWB-10 |
|----|-----|---------------|---|----------------|----------------------|
| 1  | 1   | 1111.00024.00 | WELDMENT, HWB-2010  |                |                      |
| 2  | 1   | 1104.00029.00 | ASSEMBLY, TANK, HWB-2010, 2 x 3kW/240VAC (see drawing on page 18) |                |                      |
| 3  | 1   | 1022.00050.00 | INSULATION, TANK BOTTOM, HWB-2010                                 |                |                      |
| 4  | 1   | 1001.00074.00 | COVER, TOP, HWB-2010  |                |                      |
| 5  | 1   | 1022.00049.00 | INSULATION, TANK FRONT, HWB-2010                                  |                |                      |
| 6  | 1   | 1022.00047.00 | INSULATION, TANK, TOP, HWB-2010                                   |                |                      |
| 7  | 1   | 1022.00048.00 | INSULATION, TANK BACK, HWB-2010                                   |                |                      |
| 8  | 2   | 1022.00043.00 | INSULATION, TANK, SIDE, HWB-2005/2010                             |                |                      |
| 9  | 1   | 1013.00020.00 | LOCKNUT, SHANK, 3/4-20  |                |                      |
| 10 | 1   | 1013.00019.00 | SHANK REAR HWB-2000   |                |                      |
| 11 | 1   | 1034.00001.00 | VALVE, BALL, 1/2" HWB-2000  |                |                      |
| 12 | 1   | 1013.00017.00 | SHANK FRONT HWB-2000  |                |                      |
| 13 | 1   | 1071.00012.00 | C-RING, FOR TOMLINSON FAUCET                                      |                |                      |
| 14 | 1   | 1012.00002.00 | NUT, FAUCET UNION TPD/HWB   |                |                      |
| 15 | 1   | 1071.00011.00 | FAUCET, COMPLETE W/RED HANDLE, HWB-2000                           |                |                      |
| 16 | 1   | 1024.00022.00 | GRIP, FLAT, RED (.25 x 2.00 x 1.13)                               |                |                      |
| 17 | 4   | 1029.00007.00 | SPACER, #8 SCREW, 1/2" OD X 3/4" LG, RND UNTHR                    |                |                      |
| 18 | 2   | 1102.00026.00 | SINK, HEAT, ASSEMBLY, HWB-2000                                    |                |                      |
| 19 | 7   | 1083.00011.00 | WASHER, #8 SCREW SIZE, INTERNAL TOOTH LOCK                        |                |                      |
| 20 | 7   | 1084.00006.00 | NUT, 8-32 18-8 HEX MACHINE SCREW                                  |                |                      |
| 21 | 1   | 1057.00006.00 | VALVE, S-53, 120VAC 50/60HZ, 0.75GPM ±15%                         |                |                      |
| 21 | 1   | 1057.00044.00 | FILL VALVE, S53, .75 GPM, 240VAC EXPORT ONLY                      |                |                      |
| 22 | 1   | 1024.00020.00 | GASKET, S-53 FILL VALVE   |                |                      |
| 23 | 1   | 1031.00004.00 | FITTING, S-53 FILL VALVE INLET                                    |                |                      |
| 24 | 1   | 1003.00019.00 | BRACKET, S-53   |                |                      |
| 25 | 4   | 1082.00019.00 | SCREW, S-53 FILL VALVE  |                |                      |
| 26 | 1   | 1031.00005.00 | FITTING, 90° MALE ELBOW, 3/8 OD TUBE X 3/8 NPT                    |                |                      |
| 27 | 1   | 1086.00008.00 | CONNECTOR, CABLE CLAMP, 3/4"                                      |                |                      |
| 28 | 1   | 1031.00017.00 | FITTING, BARB 1/4" HOSE ID x 1/4" FPT                             |                |                      |
| 29 | 1   | 1031.00007.00 | LOCKNUT, 1/4 STRAIGHT PIPE THREAD                                 |                |                      |
| 30 | 1   | 1031.00016.00 | FITTING, 90° ELBOW, 1/4" HOSE ID X 1/4" MPT                       |                |                      |
| 31 | 1   | 1052.00010.00 | TERMINAL BLOCK, 3 POLE, 30 AMP, 10-22 AWG                         |                |                      |
| 32 | 1   | 1065.00002.00 | CONNECTOR, COPPER LUG   |                |                      |
| 33 | 1   | 1044.00003.00 | LABEL GROUND  |                |                      |
| 34 | 1   | 1042.00006.00 | LABEL, 4" X 3" SERIAL NUMBER                                      |                |                      |
| 35 | 1   | 1108.00013.00 | CTRL BOARD AND SOFTWARE ASSY, HWB-2000, 120VAC                    |                |                      |
| 35 | 1   | 1108.00012.00 | CTRL BOARD AND SOFTWARE ASSY, HWB-2000, 230VAC <b>EXPORT ONLY</b> |                |                      |
| 36 | 4   | 1029.00006.00 | NUT, FINGER, #4-40 NYLON  |                |                      |
| 37 | 1   | 1083.00009.00 | WASHER, #6 SCREW, INTL TOOTH LOCKWASHER                           |                |                      |
| 38 | 1   | 1084.00010.00 | NUT, HEX, #6-32, UNDERSIZED, ZINC PLATED                          |                |                      |
| 39 | 1   | 1045.00014.00 | OVERLAY, HWB-2010   |                |                      |
| 40 | 1   | 1052.00003.00 | BREAKER, CIRCUIT, 240VAC, ROCKER SWITCH, 6AMP                     |                |                      |
| 41 | 1   | 1058.00019.00 | LAMP "READY", INDICATOR GREEN, 240V                               |                |                      |
| 42 | 1   | 1025.00013.00 | TUBE, 5/8"OD X 3/8"ID X 4.5"LG,COLD WATER, HWB-2000               |                |                      |
| 43 | 4   | 1102.00027.00 | INSERT, LEG, ASSEMBLY, HWB-2000                                   |                |                      |
| 44 | 1   | 1025.00014.00 | TUBE, 1/2"OD X 1/4"ID X 7.0"LG VENT. HWB-2000                     |                |                      |
| 45 | 2   | 1086.00001.00 | CLAMP, HOSE, 15.0-17.2 DIA RANGE                                  |                |                      |
| 46 | 8   | 1082.00023.00 | SCREW, #8-32 X 3/8 TRUSS HD PHIL., MACHINE                        |                |                      |
| 47 | 2   | 1003.00030.00 | COVER, DRAIN OPENING, HWB'S                                       |                |                      |
| 48 | 1   | 1402.00025.00 | HARNESS, HIGH AMP, HWB-2010, IP44, HALOGEN FREE                   |                |                      |
| 49 | 1   | 1402.00026.00 | HARNESS, LOW AMP, HWB-2010, IP44 HALOGEN FREE                     |                |                      |
| 50 | 1   | 1401.00012.00 | WIRING, HWB-10, 120/208-240V, N,L1,L2+GND                         |                |                      |
| 51 | 4   | 1084.00027.00 | NUT, CLIP ON (J-NUT), #8-32, 18-16 GA., BPF                       |                |                      |

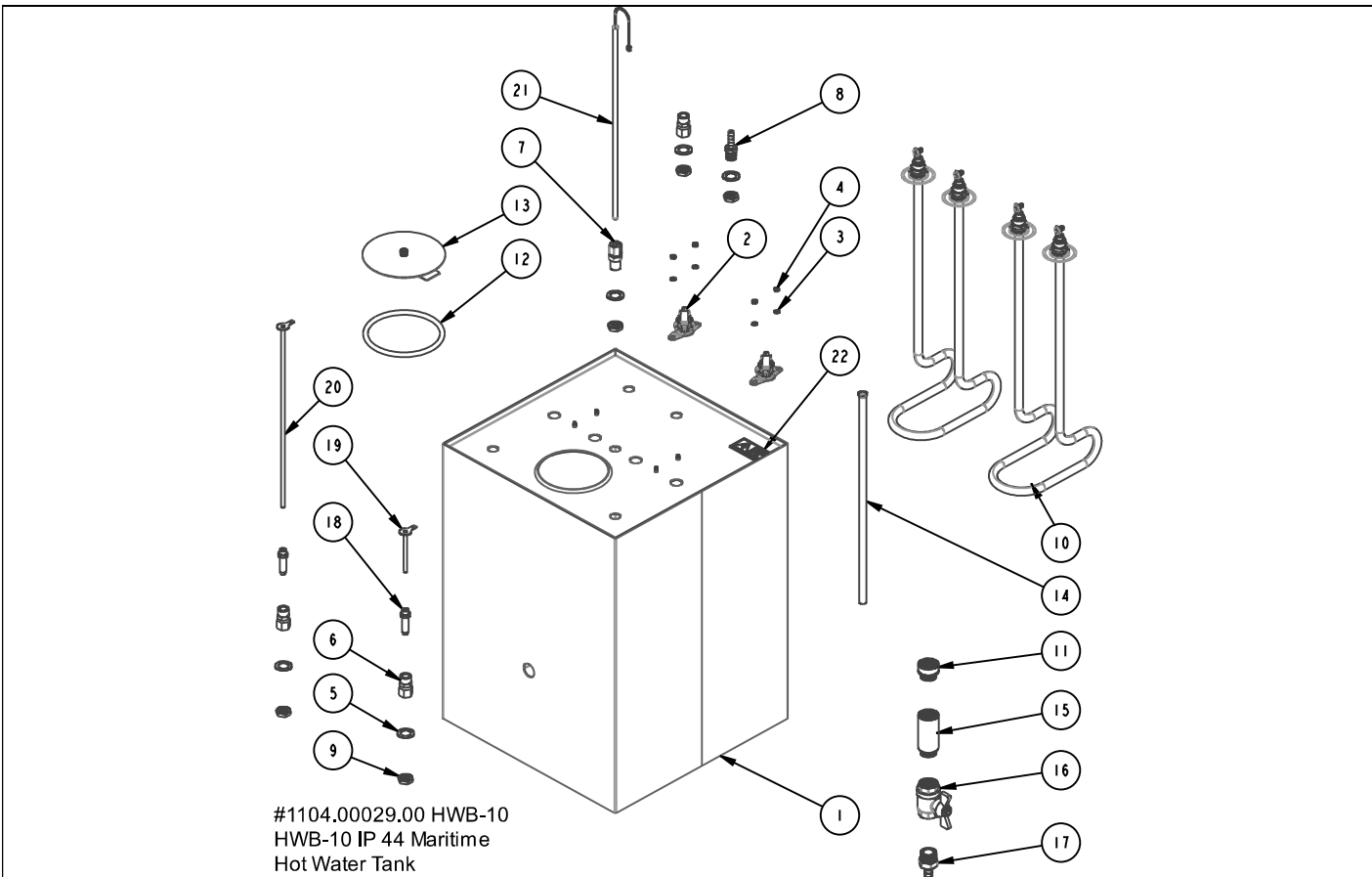


**NOTE**

The proper controls voltage for domestic (Americas) equipment are 120Vac. Domestic equipment is marked 120/208-240VAC to signify that the first voltage, the 120 Volt is 120 volts for the controls and inlet valve. This configuration also requires a NEUTRAL wire in the wiring bundle. The 208-240VAC of the 120/220-240 rating is for the heaters.

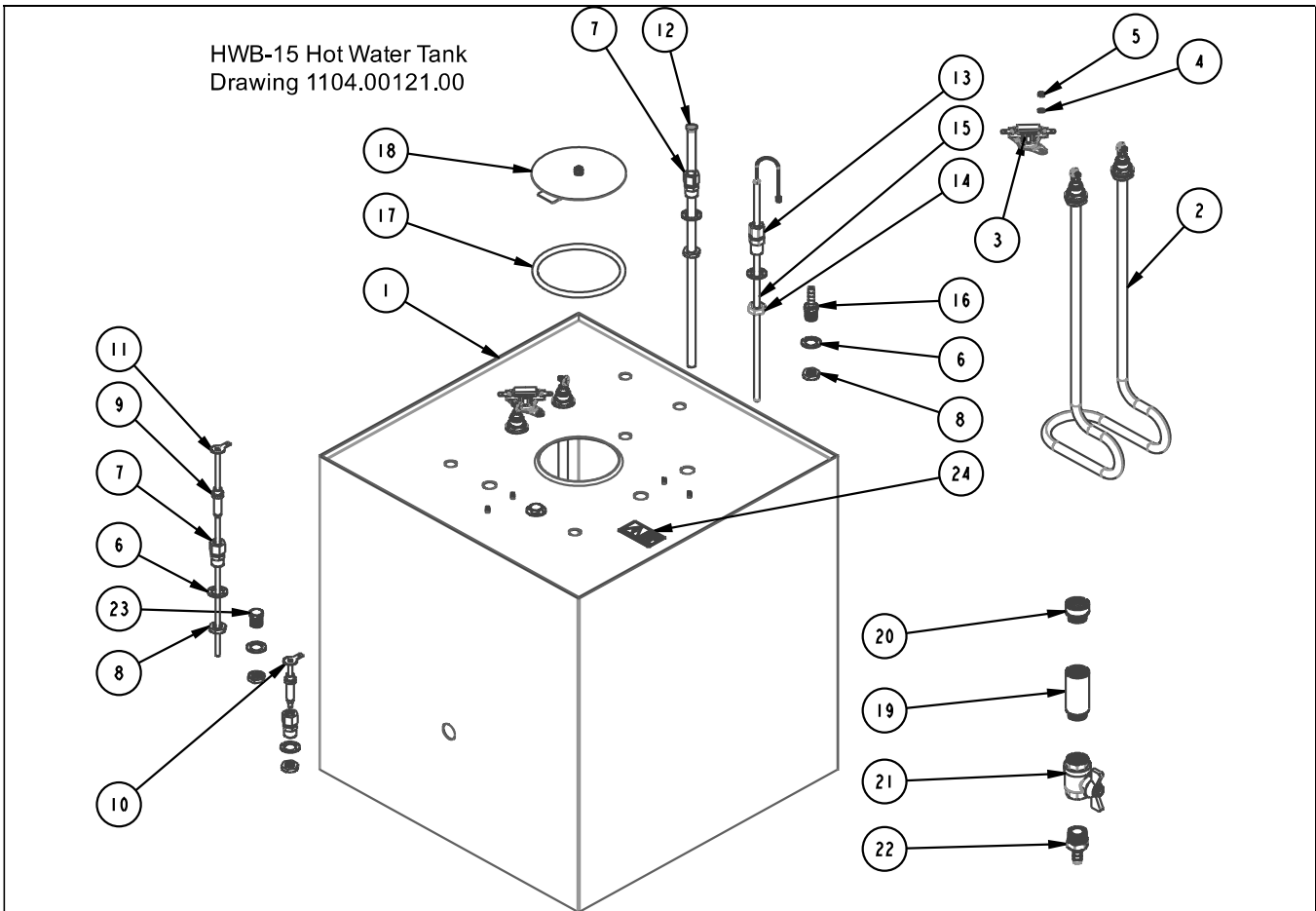
Brewers and parts marked as EXPORT are only for use in non-Americas equipment. EXPORT equipment and IP-44 Maritime equipment have 240 volt control boards and inlet valves. The 240 volt control boards and inlet valves are only for use in equipment marked EXPORT or IP-44 Maritime. This equipment does not require a NEUTRAL in the wiring bundle and is not used for domestic (Americas) equipment

| <b>HWB-2010 or HWB-10 HWB-10 IP44 EXPORT ONLY, Not for Americas</b> |     |               |  |
|---|-----|---------------|--|
| #   | Qty | PART NO       | DESCRIPTION Drawing Number 1101.00423.00 HWB-10 IP44-Export                |
| 1   | 1   | 1111.00023.00 | WELDMENT, HWB-2010, IP44   |
| 2   | 1   | 1104.00029.00 | ASSEMBLY, TANK, HWB-2010, 2 x 3kW/240VAC (see detailed drawing on page 18) |
| 3   | 1   | 1112.00395.00 | COVER TOP, HWB-2010, WELDMENT, MARITIME                                    |
| 4   | 1   | 1022.00050.00 | INSULATION, TANK BOTTOM, HWB-2010  |
| 5   | 1   | 1022.00049.00 | INSULATION, TANK FRONT, HWB-2010   |
| 6   | 2   | 1022.00043.00 | INSULATION, TANK, SIDE, HWB-2005/2010                                      |
| 7   | 1   | 1022.00048.00 | INSULATION, TANK BACK, HWB-2010  |
| 8   | 1   | 1022.00047.00 | INSULATION, TANK, TOP, HWB-2010  |
| 9   | 1   | 1013.00019.00 | SHANK REAR HWB-2000  |
| 10  | 4   | 1073.00004.00 | POSI-GRIP LOCKING RING   |
| 11  | 2   | 1003.00030.00 | COVER, DRAIN OPENING, HWB'S  |
| 12  | 8   | 1083.00010.00 | WASHER, #10 SCREW W/NEOPRENE-BONDED SEA L                                  |
| 13  | 8   | 1082.00063.00 | SCREW, # 8-32 x 3/8", HEX HD, MS, 18-8 SS                                  |
| 14  | 1   | 1013.00020.00 | LOCKNUT, SHANK, 3/4-20   |
| 15  | 1   | 1034.00001.00 | VALVE, BALL, 1/2" HWB-2000   |
| 16  | 1   | 1013.00017.00 | SHANK FRONT HWB-2000   |
| 17  | 1   | 1071.00012.00 | C-RING, FOR TOMLINSON FAUCET   |
| 18  | 1   | 1012.00002.00 | NUT, FAUCET UNION TPD/HWB  |
| 19  | 1   | 1071.00011.00 | FAUCET, COMPLETE W/RED HANDLE, HWB-2000                                    |
| 20  | 4   | 1029.00007.00 | SPACER, #8 SCREW, 1/2" OD X 3/4" LG, RND UNTHR.                            |
| 21  | 2   | 1102.00026.00 | SINK, HEAT, ASSEMBLY, HWB-2000   |
| 22  | 9   | 1083.00011.00 | WASHER, #8 SCREW SIZE, INTERNAL TOOTH LOCK                                 |
| 23  | 9   | 1084.00006.00 | NUT, 8-32 18-8 HEX MACHINE SCREW   |
| 24  | 1   | 1108.00012.00 | CTRL BOARD AND SOFTWARE ASSY, HWB-2000, 230VAC <b>EXPORT ONLY</b>          |
| 25  | 4   | 1083.00029.00 | LOCKWASHER, #4 SCREW SIZE, INTERNAL TOOTH                                  |
| 26  | 4   | 1084.00023.00 | STANDOFF, MALE-FEMALE, ALUMINUM, THREADED HEX 4-40                         |
| 27  | 1   | 1052.00010.00 | TERMINAL BLOCK, 3 POLE, 30 AMP, 10-22 AWG                                  |
| 28  | 1   | 1065.00002.00 | CONNECTOR, COPPER LUG  |
| 29  | 1   | 1044.00003.00 | LABEL GROUND   |
| 30  | 1   | 1057.00044.00 | FILL VALVE, S53, .75 GPM, 240VAC EXP                                       |
| 31  | 1   | 1024.00020.00 | GASKET, S-53 FILL VALVE  |
| 32  | 1   | 1031.00004.00 | FITTING, S-53 FILL VALVE INLET   |
| 33  | 1   | 1003.00019.00 | BRACKET, S-53  |
| 34  | 1   | 1031.00005.00 | FITTING, 90° MALE ELBOW, 3/8 OD TUBE X 3/8 NPT                             |
| 35  | 1   | 1031.00017.00 | FITTING, BARB 1/4" HOSE ID x 1/4" FPT                                      |
| 36  | 1   | 1031.00007.00 | LOCKNUT, 1/4 STRAIGHT PIPE THREAD  |
| 37  | 1   | 1031.00016.00 | FITTING, 90° ELBOW, 1/4" HOSE ID X 1/4" MPT                                |
| 38  | 1   | 1025.00013.00 | TUBE, 5/8"OD X 3/8"ID X 4.5"LG,COLD WATER, HWB-2000                        |
| 39  | 1   | 1025.00014.00 | TUBE, 1/2"OD X 1/4"ID X 7.0"LG VENT. HWB-2000                              |
| 40  | 2   | 1086.00001.00 | CLAMP, HOSE, 15.0-17.2 DIA RANGE   |
| 41  | 1   | 1045.00014.00 | OVERLAY, HWB-2010  |
| 42  | 1   | 1052.00003.00 | BREAKER, CIRCUIT, 240VAC, ROCKER SWITCH, 6AMP                              |
| 43  | 1   | 1058.00018.00 | LAMP "READY" INDICATOR GREEN, 230VAC                                       |
| 44  | 1   | 1024.00022.00 | GRIP, FLAT, RED (.25 x 2.00 x 1.13)  |
| 45  | 1   | 1402.00026.00 | HARNESS, LOW AMP, HWB-2010, IP44 HALOGEN FREE                              |
| 46  | 1   | 1402.00025.00 | HARNESS, HIGH AMP, HWB-2010, IP44, HALOGEN FREE                            |
| 47  | 4   | 1082.00019.00 | SCREW, S-53 FILL VALVE   |
| 48  | 2   | 1086.00024.00 | CABLE CLAMP, 0.375" DIA, NYLON   |
| 49  | 2   | 1083.00009.00 | WASHER, #6 SCREW , INTL TOOTH LOCKWASHER                                   |
| 50  | 2   | 1084.00010.00 | NUT, HEX, #6-32, UNDERSIZED, ZINC PLATED                                   |
| 51  | 1   | 1042.00006.00 | LABEL, 4" X 3" SERIAL NUMBER   |
| 52  | 1   | 1402.00024.00 | GROUND WIRE, HALOGEN FREE  |
| 53  | 4   | 1073.00005.00 | INSERT, LEG, W/RING, (FLANGED)   |
| 54  | 1   | 1401.00093.00 | WIRING DIAGRAM, HWB-10, 220-240/VAC L1, L2, GND                            |
| 55  | 1   | 1086.00008.00 | CONNECTOR, CABLE CLAMP, 3/4"   |



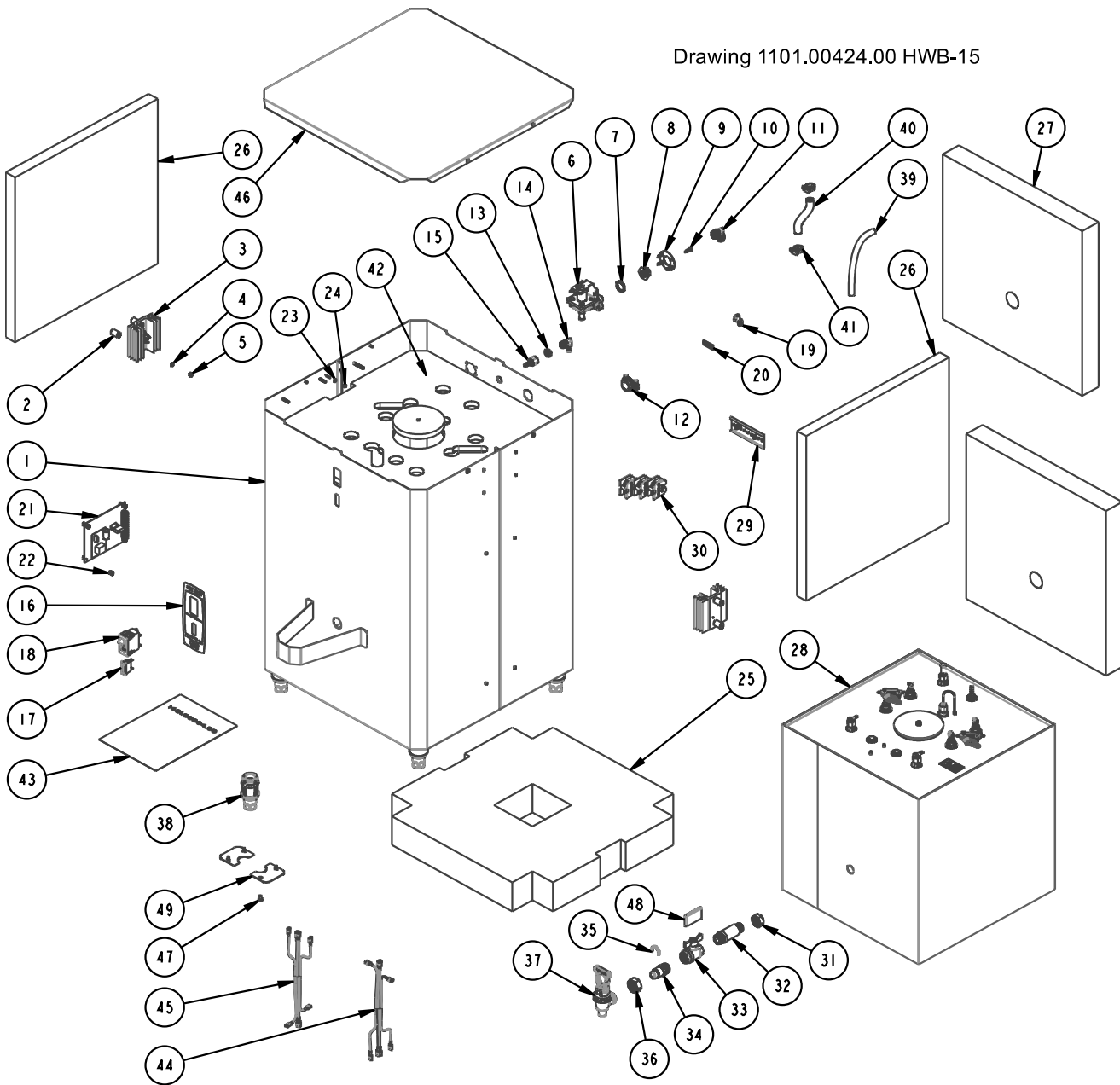
**HOT WATER TANK, HWB-2010, 2 x 3kW/240VAC DRAWING NO. 1104.00029.00**

| #  | Qty | PART NO              | DESCRIPTION   | Drawing Number                      |
|----|-----|----------------------|---|-------------------------------------|
| 1  | 1   | 1114.00044.00        | WELDMENT, TANK HWB-2010                               | 1104.00029.00 HWB-10 IP44-All types |
| 2  | 2   | 1053.00051.00        | THERMOSTAT, SINGLE SHOT, 240V/25A                     |                                     |
| 3  | 4   | 1083.00009.00        | WASHER, #6 SCREW, INTL TOOTH LOCKWASHER               |                                     |
| 4  | 4   | 1084.00010.00        | NUT, HEX, #6-32, UNDERSIZED, ZINC PLATED              |                                     |
| 5  | 5   | 1083.00006.00        | WASHER, .875" OD X 0.562" ID FLAT                     |                                     |
| 6  | 3   | 1031.00006.00        | FITTING, COMP., 3/8 TUBE OD X 1/4 MPT                 |                                     |
| 7  | 1   | 1025.00001.00        | FITTING, COMPRESSION MALE CONNECTOR                   |                                     |
| 8  | 1   | 1031.00054.00        | FITTING, BARB, 1/4" HOSE ID X 1/4" MALE PIPE          |                                     |
| 9  | 1   | 1031.00007.00        | LOCKNUT, 1/4 STRAIGHT PIPE THREAD                     |                                     |
| 10 | 2   | <b>1107.00006.00</b> | <b>HEATER ASSY, IMMERSION, 3000W/240VAC, HWB-2000</b> |                                     |
| 10 | 2   | <b>1107.00007.00</b> | <b>HEATER ASSY, IMMERSION, 4000W/240VAC, HWB-2000</b> |                                     |
| 11 | 1   | 1031.00014.00        | FITTING, EXTENSION 1/2"FPT x 1/2" MPT x 0.45"LG       |                                     |
| 12 | 1   | 1024.00007.00        | O-RING, DASH #344, TANK COVER                         |                                     |
| 13 | 1   | 1102.00007.00        | TANK COVER ASSEMBLY                                   |                                     |
| 14 | 1   | 1032.00003.00        | TUBE, 3/8"OD X 13" LG, COLD WATER INLET, HWB-2000     |                                     |
| 15 | 1   | 1031.00015.00        | FITTING, EXTENSION 1/2"FPT x 1/2" MPT x 2.00"LG       |                                     |
| 16 | 1   | 1034.00001.00        | VALVE, BALL, 1/2" FPT X 1/2" FPT                      |                                     |
| 17 | 1   | 1031.00013.00        | FITTING, HOSE BARB 3/8" x 1/2" MPT                    |                                     |
| 18 | 2   | 1021.00002.00        | HOUSING, WATER LEVEL PROBE                            |                                     |
| 19 | 1   | 1112.00029.00        | PROBE WELDMENT, WATER LEVEL, 2.50" LONG               |                                     |
| 20 | 1   | 1112.00030.00        | PROBE WELDMENT, WATER LEVEL, 11.25" LONG              |                                     |
| 21 | 1   | 1102.00025.00        | PROBE ASSEMBLY, DIGITAL TEMPERATURE, 12.0" LG         |                                     |
| 22 | 1   | 1044.00004.00        | LABEL, DANGER, HIGH VOLTAGE                           |                                     |



HOT WATER TANK, HWB-2015, 3 x 3kW/240VAC DRAWING NO. 1104.00121.00

| #  | Qty | PART NO       | DESCRIPTION                                       |
|----|-----|---------------|---|
| 1  | 1   | 1114.00015.00 | TANK WELDMENT, HWB-2015                           |
| 2  | 3   | 1107.00006.00 | HEATER ASSY, IMMERSION, 3000W/240VAC, HWB-2000    |
| 2  | 3   | 1107.00007.00 | HEATER ASSY, IMMERSION, 4000W/240VAC, HWB-2000    |
| 3  | 2   | 1053.00051.00 | THERMOSTAT, SINGLE SHOT, 240V/25A                 |
| 4  | 4   | 1083.00009.00 | WASHER, #6 SCREW , INTL TOOTH LOCKWASHER          |
| 5  | 4   | 1084.00010.00 | NUT, HEX, #6-32, UNDERSIZED, ZINC PLATED          |
| 6  | 7   | 1083.00006.00 | WASHER, .875" OD X 0.562" ID FLAT                 |
| 7  | 3   | 1031.00006.00 | FITTING, COMP., 3/8 TUBE OD X 1/4 MPT             |
| 8  | 6   | 1031.00007.00 | LOCKNUT, 1/4 STRAIGHT PIPE THREAD                 |
| 9  | 2   | 1021.00002.00 | HOUSING, WATER LEVEL PROBE                        |
| 10 | 1   | 1112.00029.00 | PROBE WELDMENT, WATER LEVEL, 2.50" LONG           |
| 11 | 1   | 1112.00030.00 | PROBE WELDMENT, WATER LEVEL, 11.25" LONG          |
| 12 | 1   | 1032.00003.00 | TUBE, 3/8"OD X 13" LG, COLD WATER INLET, HWB-2000 |
| 13 | 1   | 1025.00001.00 | FITTING, COMPRESSION MALE CONNECTOR               |
| 14 | 1   | 1023.00003.00 | LOCKNUT, MODIFIED THREAD, 1/4-18 NPT              |
| 15 | 1   | 1102.00025.00 | PROBE ASSEMBLY, DIGITAL TEMPERATURE, 12.0" LG     |
| 16 | 1   | 1031.00054.00 | FITTING, BARB, 1/4" HOSE ID X 1/4" MALE PIPE      |
| 17 | 1   | 1024.00007.00 | O-RING, DASH #344, TANK COVER                     |
| 18 | 1   | 1102.00007.00 | TANK COVER ASSEMBLY                               |
| 19 | 1   | 1031.00015.00 | FITTING, EXTENSION 1/2"FPT x 1/2" MPT x 2.00"LG   |
| 20 | 1   | 1031.00014.00 | FITTING, EXTENSION 1/2"FPT x 1/2" MPT x 0.45"LG   |
| 21 | 1   | 1034.00001.00 | VALVE, BALL, 1/2" FPT X 1/2" FPT                  |
| 22 | 1   | 1031.00013.00 | FITTING, HOSE BARB 3/8" x 1/2" MPT                |
| 23 | 2   | 1031.00036.00 | FITTING, PLUG, 1/4" MALE PIPE HEX HEAD            |
| 24 | 1   | 1044.00004.00 | LABEL, DANGER, HIGH VOLTAGE                       |



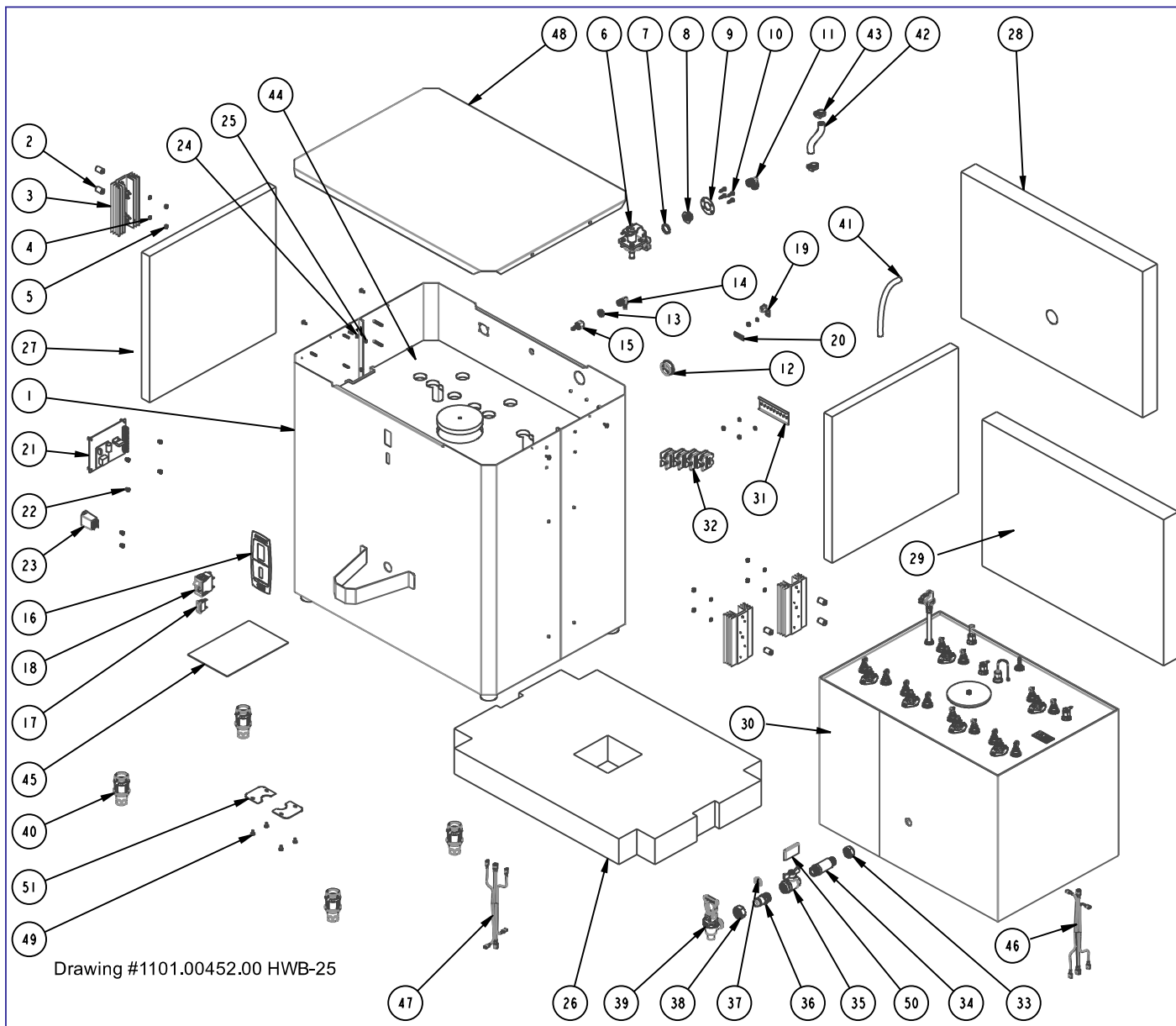
**NOTE**

The proper controls voltage for domestic (Americas) equipment are 120Vac. Domestic equipment is marked 120/208-240VAC to signify that the first voltage, the 120 Volt is 120 volts for the controls and inlet valve. This configuration also requires a NEUTRAL wire in the wiring bundle. The 208-240VAC of the 120/220-240 rating is for the heaters.

Brewers and parts marked as EXPORT are only for use in non-Americas equipment. EXPORT equipment and IP-44 Maritime equipment have 240 volt control boards and inlet valves. The 240 volt control boards and inlet valves are only for use in equipment marked EXPORT or IP-44 Maritime. This equipment does not require a NEUTRAL in the wiring bundle and is not used for domestic (Americas) equipment



| <b>HWB-2015 or HWB-15 Domestic - for Americas and EXPORT</b> |     |                      |  |
|--|-----|----------------------|--|
| #  | Qty | PART NO              | DESCRIPTION Drawing Number 1101.00424.00 HWB-15                                  |
| 1  | 1   | 1111.00008.00        | BODY, WELDMENT, HWB-2015   |
| 2  | 4   | 1029.00007.00        | SPACER, #8 SCREW, 1/2" OD X 3/4" LG, RND UNTHR.                                  |
| 3  | 2   | 1102.00026.00        | SINK, HEAT, ASSEMBLY, HWB-2000   |
| 4  | 7   | 1083.00011.00        | WASHER, #8 SCREW SIZE, INTERNAL TOOTH LOCK                                       |
| 5  | 7   | 1084.00006.00        | NUT, 8-32 18-8 HEX MACHINE SCREW   |
| 6  | 1   | 1057.00006.00        | VALVE, S-53, 120VAC 50/60HZ, 0.75GPM ±15%  |
| 6  | 1   | 1057.00044.00        | FILL VALVE, S53, .75 GPM, 240VAC <b>EXPORT ONLY</b>                              |
| 7  | 1   | 1024.00020.00        | GASKET, S-53 FILL VALVE  |
| 8  | 1   | 1031.00004.00        | FITTING, S-53 FILL VALVE INLET   |
| 9  | 1   | 1003.00019.00        | BRACKET, S-53  |
| 10   | 4   | 1082.00019.00        | SCREW, S-53 FILL VALVE   |
| 11   | 1   | 1031.00005.00        | FITTING, 90° MALE ELBOW, 3/8 OD TUBE X 3/8 NPT                                   |
| 12   | 1   | 1086.00008.00        | CONNECTOR, CLAMP, NON-METALLIC CABLE, 3/4"                                       |
| 13   | 1   | 1031.00007.00        | LOCKNUT, 1/4 STRAIGHT PIPE THREAD  |
| 14   | 1   | 1031.00016.00        | FITTING, 90° ELBOW, 1/4" HOSE ID X 1/4" MPT                                      |
| 15   | 1   | 1031.00017.00        | FITTING, BARB 1/4" HOSE ID x 1/4" FPT  |
| 16   | 1   | 1045.00005.00        | OVERLAY, HWB-2015  |
| 17   | 1   | 1058.00004.00        | LAMP, "READY" INDICATOR, GREEN, 110 VAC  |
| 18   | 1   | 1052.00003.00        | BREAKER, CIRCUIT, 240VAC, ROCKER SWITCH, 6AMP                                    |
| 19   | 1   | 1065.00002.00        | CONNECTOR, COPPER LUG  |
| 20   | 1   | 1044.00003.00        | LABEL GROUND   |
| 21   | 1   | 1108.00013.00        | CTRL BOARD AND SOFTWARE ASSY, HWB-2000, 120VAC                                   |
| 24   | 1   | 1108.00012.00        | CTRL BOARD AND SOFTWARE ASSY, HWB-2000, 230VAC <b>EXPORT ONLY</b>                |
| 22   | 4   | 1029.00006.00        | NUT, FINGER KNURLED, #4-40   |
| 23   | 1   | 1083.00009.00        | WASHER, #6 SCREW , INTL TOOTH LOCKWASHER   |
| 24   | 1   | 1084.00010.00        | NUT, HEX, #6-32, UNDERSIZED, ZINC PLATED   |
| 25   | 1   | 1022.00010.00        | INSULATION, TANK BOTTOM, HWB-2015  |
| 26   | 2   | 1022.00014.00        | INSULATION, TANK SIDE, HWB-2015/2025   |
| 27   | 2   | 1022.00013.00        | INSULATION, TANK FRONT, HWB-2015   |
| 28   | 1   | <b>1104.00121.00</b> | <b>TANK ASSEMBLY, HWB-2015, 2 X 3kW/240VAC</b> (see detailed drawing on page 19) |
| 28   | 1   | <b>1104.00012.00</b> | <b>TANK ASSEMBLY, HWB-2015, 3 X 3kW/240VAC</b> (see detailed drawing on page 19) |
| 29   | 1   | 1052.00005.00        | TERMINAL BLOCK TRACK   |
| 30   | 3   | 1052.00004.00        | TERMINAL BLOCK   |
| 31   | 1   | 1013.00020.00        | LOCKNUT, SHANK, 3/4-20   |
| 32   | 1   | 1013.00019.00        | SHANK REAR HWB-2000  |
| 33   | 1   | 1034.00001.00        | VALVE, BALL, 1/2" FPT X 1/2" FPT   |
| 34   | 1   | 1013.00017.00        | SHANK FRONT HWB-2000   |
| 35   | 1   | 1071.00012.00        | C-RING, FOR TOMLINSON FAUCET   |
| 36   | 1   | 1012.00002.00        | NUT, FAUCET UNION TPD/HWB  |
| 37   | 1   | 1071.00011.00        | FAUCET, COMPLETE W/RED HANDLE, HWB-2000  |
| 38   | 4   | 1102.00027.00        | INSERT, LEG, ASSEMBLY, HWB-2000  |
| 39   | 1   | 1025.00014.00        | TUBE, 1/2"OD X 1/4"ID X 7.0"LG VENT. HWB-2000                                    |
| 40   | 1   | 1025.00013.00        | TUBE, 5/8"OD X 3/8"ID X 4.5"LG   |
| 41   | 2   | 1086.00001.00        | CLAMP, HOSE, .590" - .673" DIA RANGE   |
| 42   | 1   | 1022.00011.00        | INSULATION, TANK TOP, HWB-2015   |
| 43   | 1   | 1401.00004.00        | WIRING DIAGRAM, HWB-15, L1, L2+GND, 120/208-240VAC, 2-HEATERS                    |
| 44   | 1   | 1402.00006.00        | HARNESS, LOW AMP, 3PH, HWB-2015  |
| 45   | 1   | 1402.00007.00        | HARNESS, HIGH AMP, 3PH, HWB-2015   |
| 46   | 1   | 1001.00027.00        | COVER, TOP HWB-2015  |
| 47   | 8   | 1082.00023.00        | SCREW, #8-32 X 3/8 TRUSS HD PHIL., MACHINE                                       |
| 48   | 1   | 1024.00022.00        | GRIP, FLAT, RED (.25 x 2.00 x 1.13)  |
| 49   | 2   | 1003.00030.00        | COVER, DRAIN OPENING, HWB'S  |

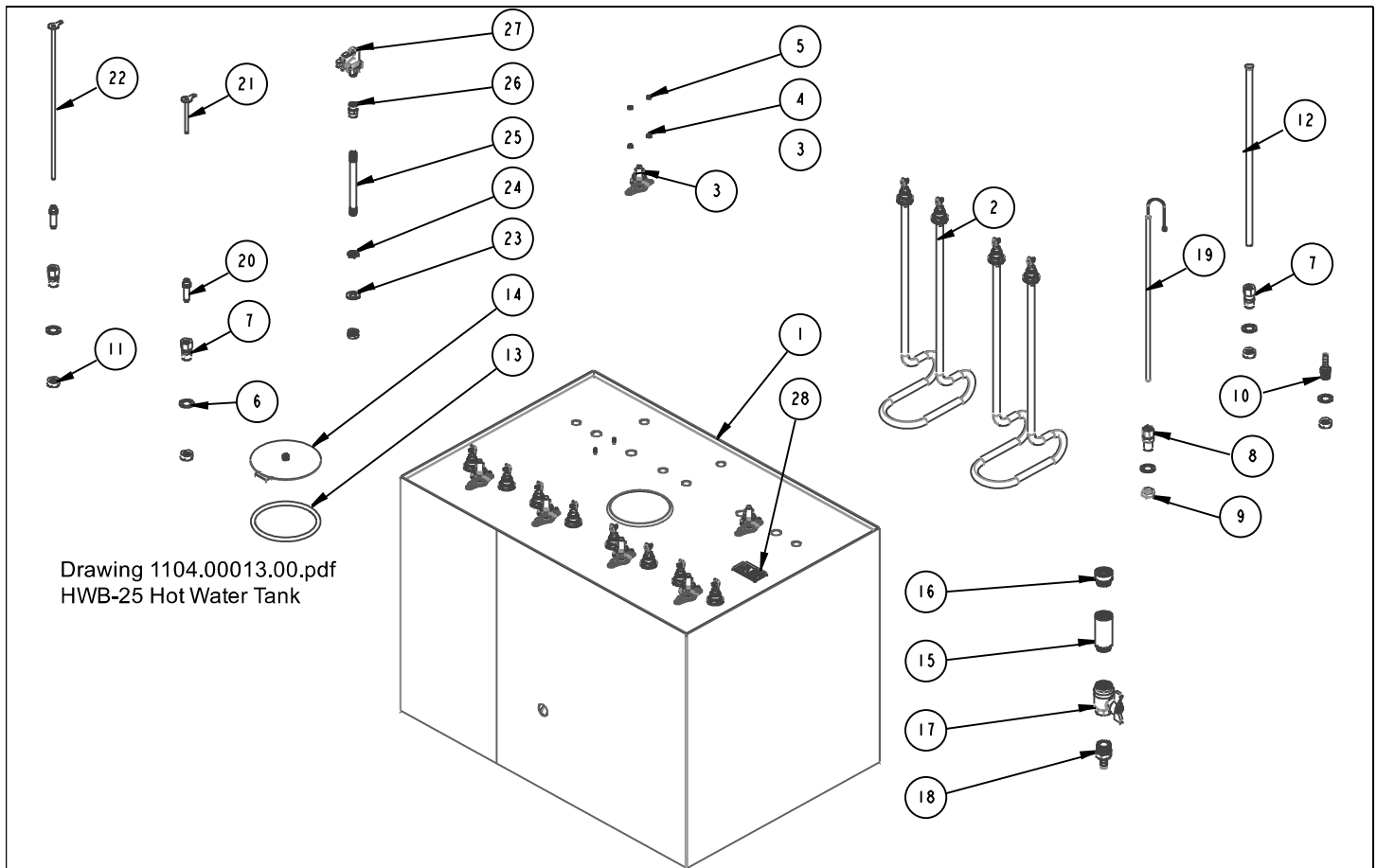


**NOTE**

The proper controls voltage for domestic (Americas) equipment are 120Vac. Domestic equipment is marked 120/208-240VAC to signify that the first voltage, the 120 Volt is 120 volts for the controls and inlet valve. This configuration also requires a NEUTRAL wire in the wiring bundle. The 208-240VAC of the 120/220-240 rating is for the heaters.

Brewers and parts marked as EXPORT are only for use in non-Americas equipment. EXPORT equipment and IP-44 Maritime equipment have 240 volt control boards and inlet valves. The 240 volt control boards and inlet valves are only for use in equipment marked EXPORT or IP-44 Maritime. This equipment does not require a NEUTRAL in the wiring bundle and is not used for domestic (Americas) equipment

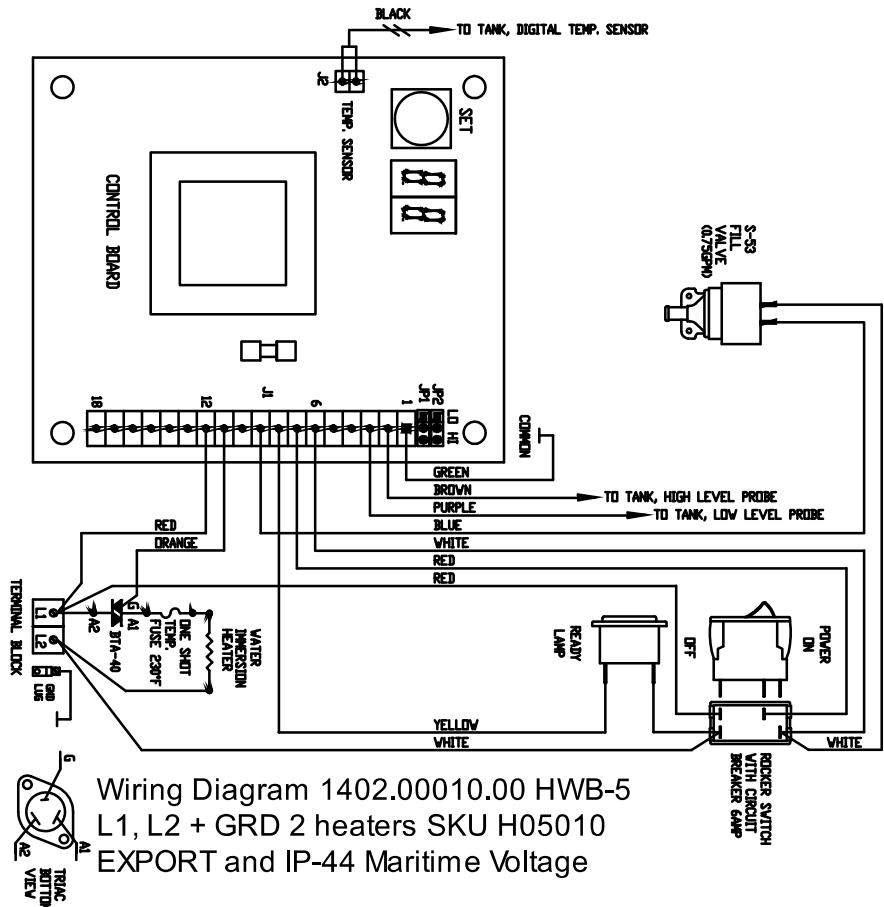
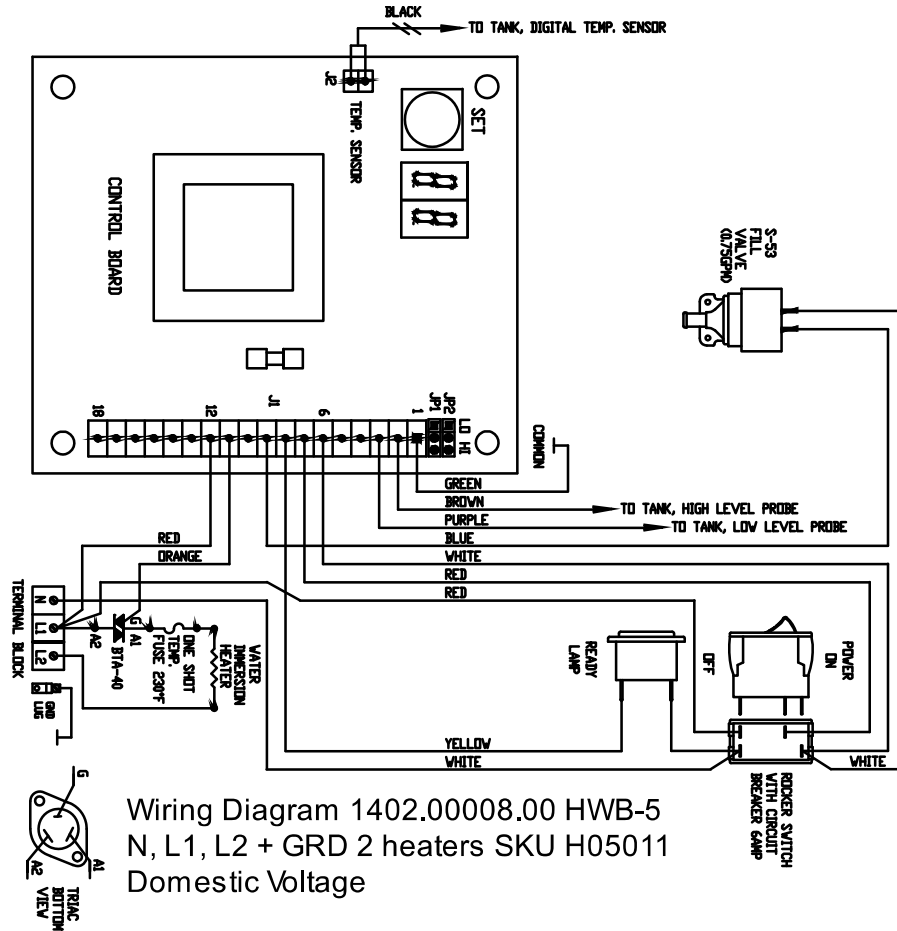
| <b>HWB-2025 or HWB-25 Domestic - for Americas and EXPORT</b> |     |                |  |
|--|-----|----------------|--|
| #  | Qty | PART NO        | DESCRIPTION Drawing Number 1101.00452.00 HWB-25                                  |
| 1  | 1   | 1111.00010.00  | BODY, WELDMENT, HWB-2025   |
| 2  | 6   | 1029.00007.00. | SPACER, #8 SCREW, 1/2" OD X 3/4" LG, RND UNTHR                                   |
| 3  | 3   | 1102.00028.00  | SINK, HEAT, ASSEMBLY, HWB-2025   |
| 4  | 9   | 1083.00011.00  | WASHER, #8 SCREW SIZE, INTERNAL TOOTH LOCK                                       |
| 5  | 9   | 1084.00006.00  | NUT, 8-32 18-8 HEX MACHINE SCREW   |
| 6  | 1   | 1057.00006.00  | VALVE, S-53, 120VAC 50/60HZ, 0.75GPM ±15%  |
| 6  | 1   | 1057.00044.00  | FILL VALVE, S53, .75 GPM, 240VAC <b>EXPORT ONLY</b>                              |
| 7  | 1   | 1024.00020.00  | GASKET, S-53 FILL VALVE  |
| 8  | 1   | 1031.00004.00  | FITTING, S-53 FILL VALVE INLET   |
| 9  | 1   | 1003.00019.00  | BRACKET, S-53  |
| 10   | 4   | 1082.00019.00  | SCREW, S-53 FILL VALVE   |
| 11   | 1   | 1031.00005.00  | FITTING, 90° MALE ELBOW, 3/8 OD TUBE X 3/8 NPT                                   |
| 12   | 1   | 1086.00011.00  | BUSHING, SNAP, 1.375 MTG HOLE  |
| 13   | 1   | 1031.00007.00  | LOCKNUT, 1/4 STRAIGHT PIPE THREAD  |
| 14   | 1   | 1031.00016.00  | FITTING, 90° ELBOW, 1/4" HOSE ID X 1/4" MPT                                      |
| 15   | 1   | 1031.00017.00  | FITTING, BARB 1/4" HOSE ID x 1/4" FPT  |
| 16   | 1   | 1045.00006.00  | OVERLAY, HWB-2025  |
| 17   | 1   | 1058.00004.00  | LAMP, "READY" INDICATOR, GREEN, 110 VAC  |
| 18   | 1   | 1052.00003.00  | BREAKER, CIRCUIT, 240VAC, ROCKER SWITCH, 6AMP                                    |
| 19   | 1   | 1065.00004.00  | CONNECTOR, COPPER LUG SLU-70   |
| 20   | 1   | 1044.00003.00  | LABEL GROUND   |
| 21   | 1   | 1108.00013.00  | CTRL BOARD AND SOFTWARE ASSY, HWB-2000, 120VAC                                   |
| 21   | 1   | 1108.00012.00  | CTRL BOARD AND SOFTWARE ASSY, HWB-2000, 230VAC <b>EXPORT ONLY</b>                |
| 22   | 6   | 1029.00006.00  | NUT, FINGER KNURLED, #4-40   |
| 23   | 1   | 1052.00006.00  | RELAY, OMRON, 120V, 1/2HP  |
| 24   | 1   | 1083.00009.00  | WASHER, #6 SCREW , INTL TOOTH LOCKWASHER   |
| 25   | 1   | 1084.00010.00  | NUT, HEX, #6-32, UNDERSIZED, ZINC PLATED   |
| 26   | 1   | 1022.00015.00  | INSULATION, TANK BOTTOM, HWB-2025  |
| 27   | 2   | 1022.00014.00  | INSULATION, TANK SIDE, HWB-2015/2025   |
| 28   | 1   | 1022.00017.00  | INSULATION, TANK FRONT, HWB-2025   |
| 29   | 1   | 1022.00016.00  | INSULATION, TANK BACK, HWB-2025  |
| 30   | 1   | 1104.00013.00  | <b>TANK ASSEMBLY, HWB-2025, 6 x 3kW/240VAC</b> (see detailed drawing on page 24) |
| 30   | 1   | 1104.00122.00  | <b>TANK ASSEMBLY, HWB-2025, 6 x 4kW/240VAC</b> (see detailed drawing on page 24) |
| 31   | 1   | 1052.00005.00  | TERMINAL BLOCK TRACK   |
| 32   | 4   | 1052.00004.00  | TERMINAL BLOCK   |
| 33   | 1   | 1013.00020.00  | LOCKNUT, SHANK, 3/4-20   |
| 34   | 1   | 1013.00019.00  | SHANK REAR HWB-2000  |
| 35   | 1   | 1034.00001.00  | VALVE, BALL, 1/2" HWB-2000   |
| 36   | 1   | 1013.00017.00  | SHANK FRONT HWB-2000   |
| 37   | 1   | 1071.00012.00  | C-RING, FOR TOMLINSON FAUCET   |
| 38   | 1   | 1012.00002.00  | NUT, FAUCET UNION TPD/HWB  |
| 39   | 1   | 1071.00011.00  | FAUCET, COMPLETE W/RED HANDLE, HWB-2000  |
| 40   | 4   | 1102.00027.00  | INSERT, LEG, ASSEMBLY, HWB-2000  |
| 41   | 1   | 1025.00014.00  | TUBE, 1/2"OD X 1/4"ID X 7.0"LG VENT. HWB-2000                                    |
| 42   | 1   | 1025.00013.00  | TUBE, 5/8"OD X 3/8"ID X 4.5"LG,COLD WATER, HWB-2000                              |
| 43   | 2   | 1086.00001.00  | CLAMP, HOSE, .590" - .673" DIA RANGE   |
| 44   | 1   | 1022.00018.00  | INSULATION, TANK TOP, HWB-2025   |
| 45   | 1   | 1401.00006.00  | WIRING DIAGRAM, HWB-2025, L1, L2, L3, N+GND, 120/208-240 VAC, 6 HEATERS          |
| 46   | 1   | 1402.00009.00  | HARNESS, LOW AMP, 3PH, HWB-2025  |
| 47   | 1   | 1402.00008.00  | HARNESS, HIGH AMP, 3PH, HWB-2025   |
| 48   | 1   | 1001.00030.00  | COVER, TOP, HWB-2025   |
| 49   | 8   | 1082.00023.00  | SCREW, #8-32 X 3/8 TRUSS HD PHIL., MACHINE                                       |
| 50   | 1   | 1024.00022.00  | GRIP, FLAT, RED (.25 x 2.00 x 1.13)  |
| 51   | 2   | 1003.00030.00  | COVER, DRAIN OPENING, HWB'S  |

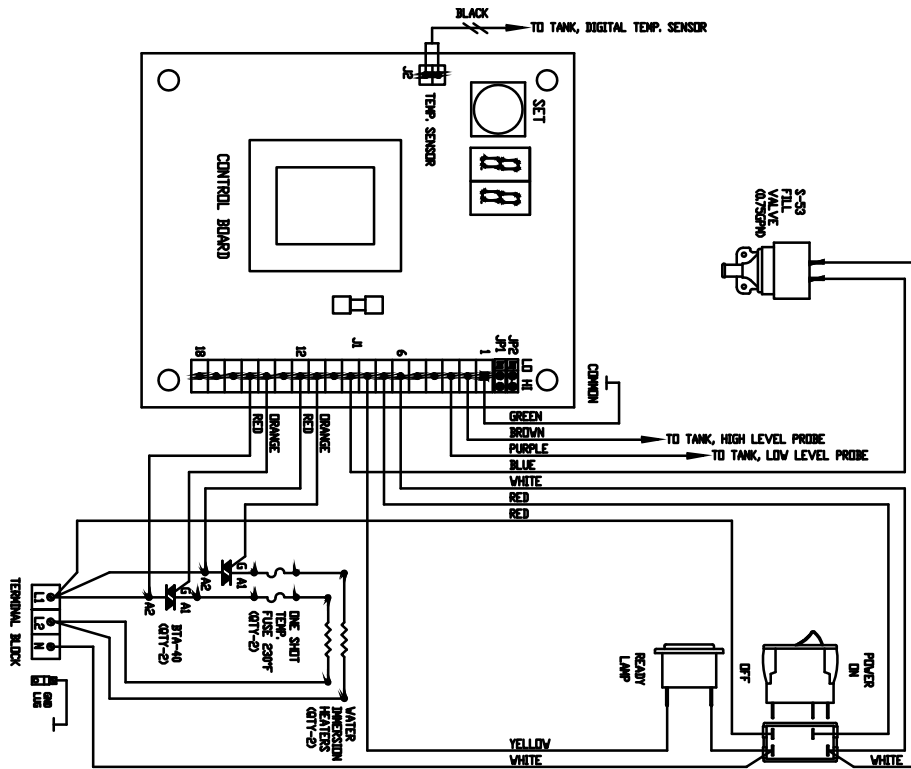


Drawing 1104.00013.00.pdf  
HWB-25 Hot Water Tank

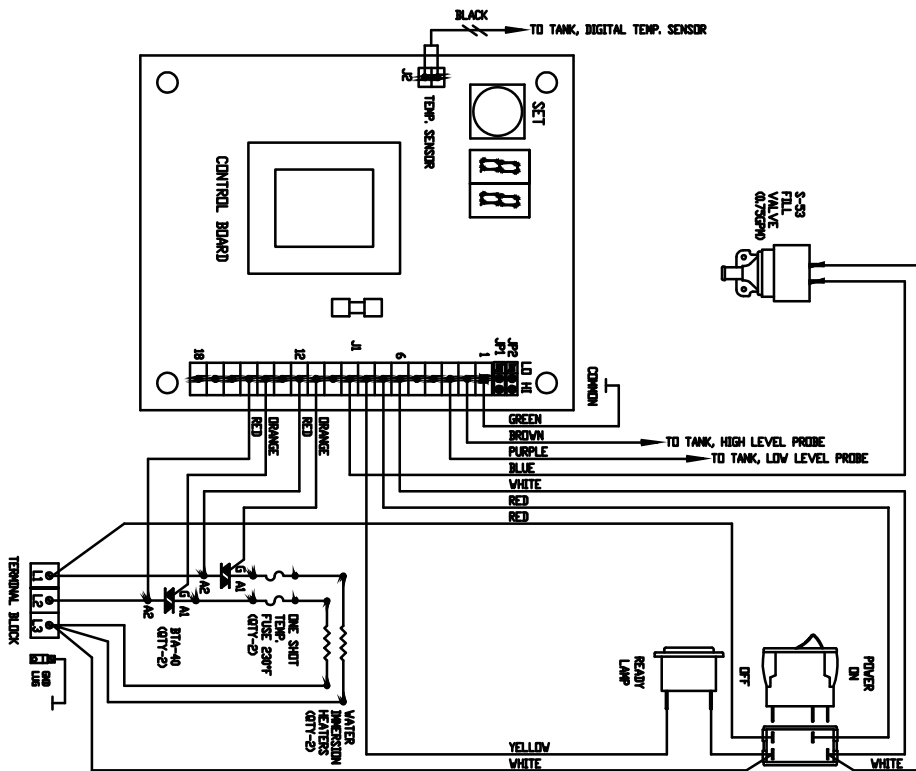
| #  | Qty | PART NO              | DESCRIPTION Drawing Number 1104.00013.00 HWB-25       |
|----|-----|----------------------|---|
| 1  | 1   | 1114.00017.00        | TANK WELDMENT, HWB-2025                               |
| 2  | 6   | <b>1107.00006.00</b> | <b>HEATER ASSY, IMMERSION, 3000W/240VAC, HWB-2000</b> |
| 2  | 6   | <b>1107.00007.00</b> | <b>HEATER ASSY, IMMERSION, 4000W/240VAC, HWB-2000</b> |
| 3  | 6   | 1053.00051.00        | THERMOSTAT, SINGLE SHOT, 240V/25A                     |
| 4  | 12  | 1083.00009.00        | WASHER, #6 SCREW, INTL TOOTH LOCKWASHER               |
| 5  | 12  | 1084.00010.00        | NUT, HEX, #6-32, UNDERSIZED, ZINC PLATED              |
| 6  | 5   | 1083.00006.00        | WASHER, .875" OD X 0.562" ID FLAT                     |
| 7  | 3   | 1031.00006.00        | FITTING, COMP., 3/8 TUBE OD X 1/4 MPT                 |
| 8  | 1   | 1025.00001.00        | FITTING, COMPRESSION MALE CONNECTOR                   |
| 9  | 1   | 1023.00003.00        | LOCKNUT, MODIFIED THREAD, 1/4-18 NPT                  |
| 10 | 1   | 1031.00054.00        | FITTING, BARB, 1/4" HOSE ID X 1/4" MALE PIPE          |
| 11 | 4   | 1031.00007.00        | LOCKNUT, 1/4 STRAIGHT PIPE THREAD                     |
| 12 | 1   | 1032.00003.00        | TUBE, 3/8"OD X 13" LG, COLD WATER INLET, HWB-2000     |
| 13 | 1   | 1024.00007.00        | O-RING, DASH #344, TANK COVER                         |
| 14 | 1   | 1102.00007.00        | TANK COVER ASSEMBLY                                   |
| 15 | 1   | 1031.00015.00        | FITTING, EXTENSION 1/2"FPT x 1/2" MPT x 2.00"L        |
| 16 | 1   | 1031.00014.00        | FITTING, EXTENSION 1/2"FPT x 1/2" MPT x 0.45"LG       |
| 17 | 1   | 1034.00001.00        | VALVE, BALL, 1/2" FPT X 1/2" FPT                      |
| 18 | 1   | 1031.00013.00        | FITTING, HOSE BARB 3/8" x 1/2" MPT                    |
| 19 | 1   | 1102.00025.00        | PROBE ASSEMBLY, DIGITAL TEMPERATURE, 12.0" LG         |
| 20 | 2   | 1021.00002.00        | HOUSING, WATER LEVEL PROBE                            |
| 21 | 1   | 1112.00029.00        | PROBE WELDMENT, WATER LEVEL, 2.50" LONG               |
| 22 | 1   | 1112.00030.00        | PROBE WELDMENT, WATER LEVEL, 11.25" LONG              |
| 23 | 1   | 1083.00014.00        | WASHER, .812"OD X 0.412"ID FLAT                       |
| 24 | 2   | 1031.00020.00        | LOCKNUT 1/8" STRAIGHT PIPE THREAD                     |
| 25 | 1   | 1031.00019.00        | NIPPLE 1/8" PIPE, 4.5 LONG                            |
| 26 | 1   | 1031.00018.00        | COUPLING, FEMALE 1/8" PIPE                            |
| 27 | 1   | 1058.00005.00        | SWITCH, PRESSURE, 2PR                                 |
| 28 | 1   | 1044.00004.00        | LABEL, DANGER, HIGH VOLTAGE                           |

Wiring diagrams

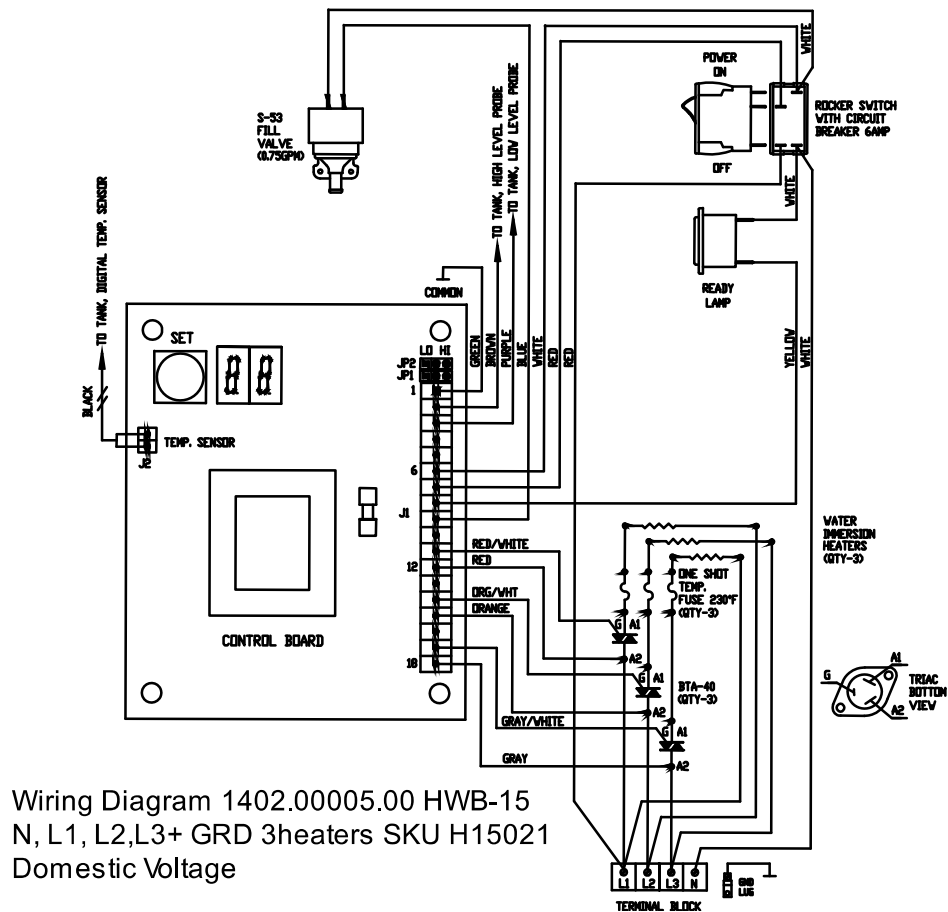
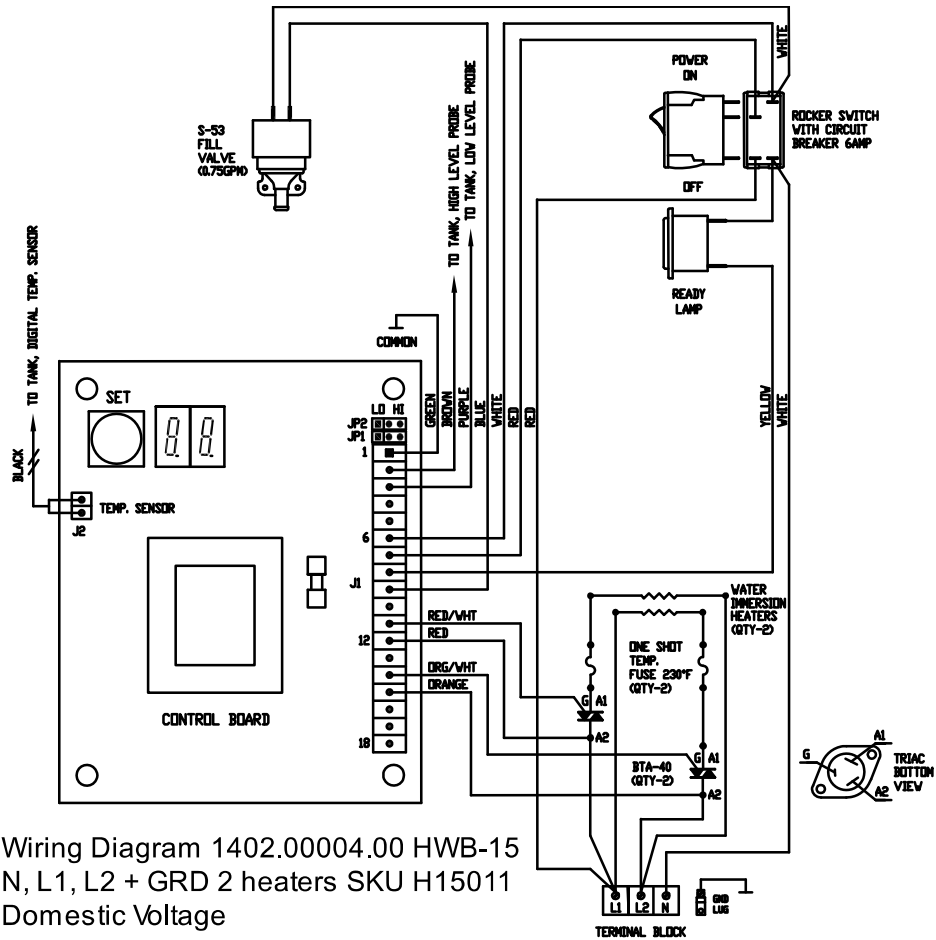


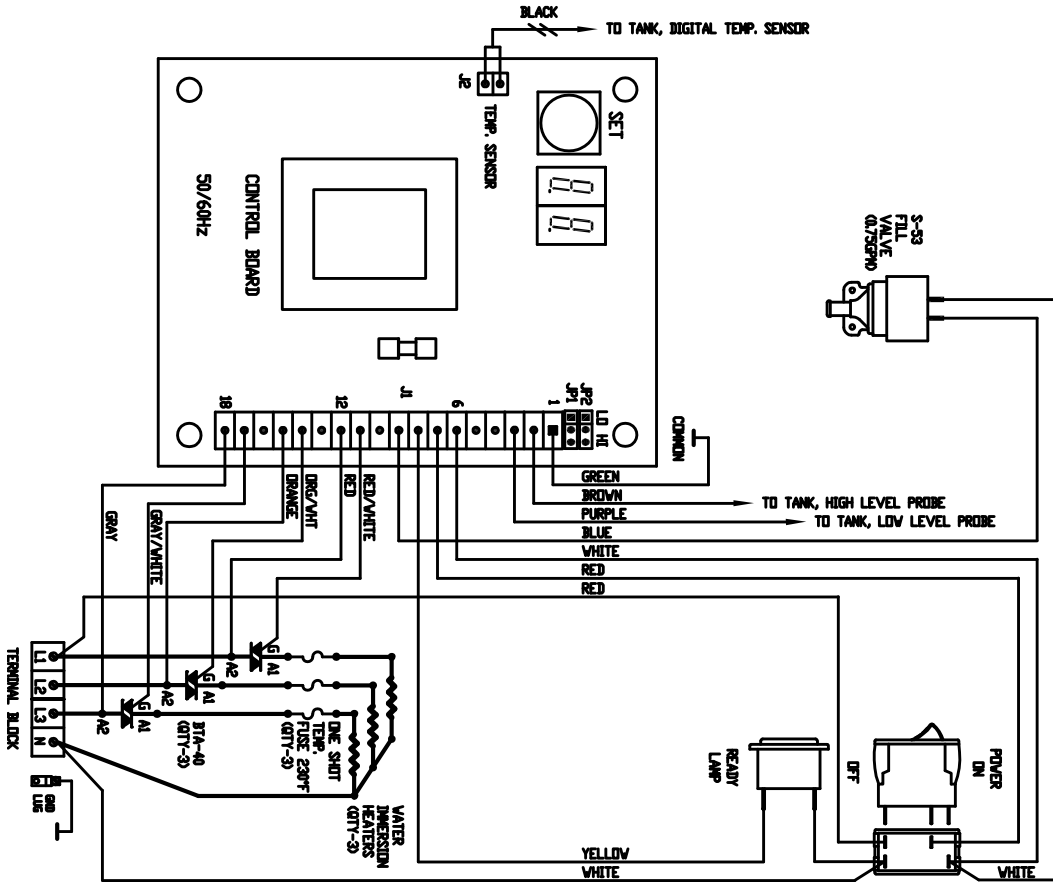


Wiring Diagram 1402.00012.00 HWB-10 N, L1, L2,+ GRD 2 heaters SKU H10011 Domestic Voltage



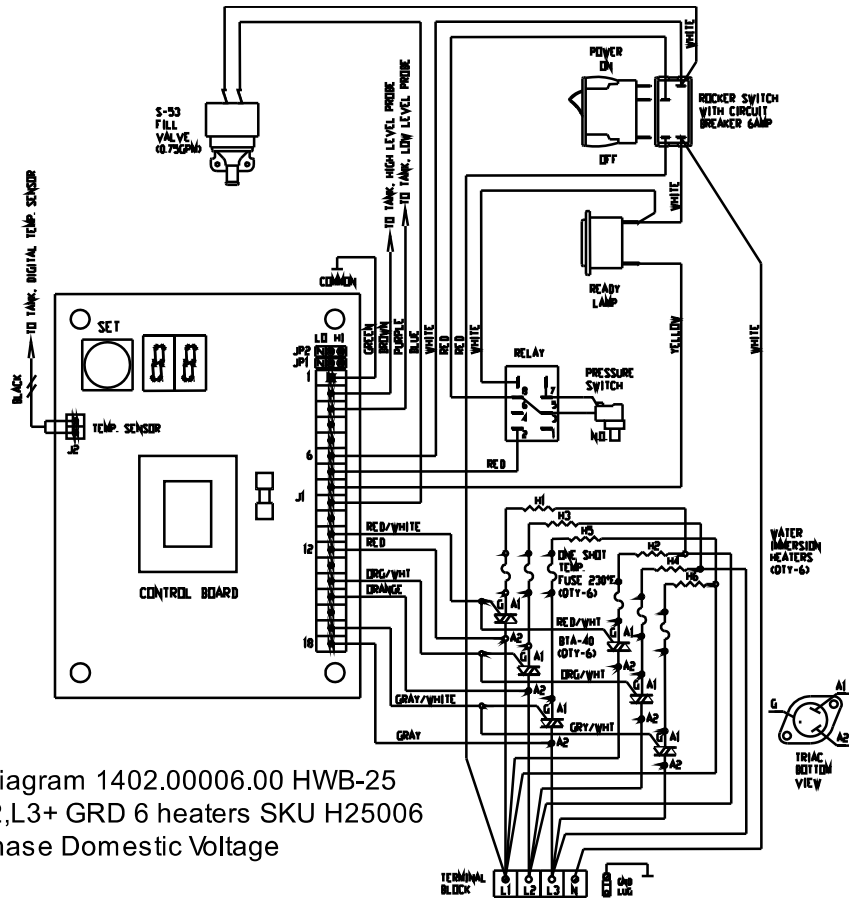
Wiring Diagram 1402.00016.00 HWB-10 N, L1, L2, L3+ GRD 2 heaters SKU H1003 Export and IP-44 Maritime Voltage



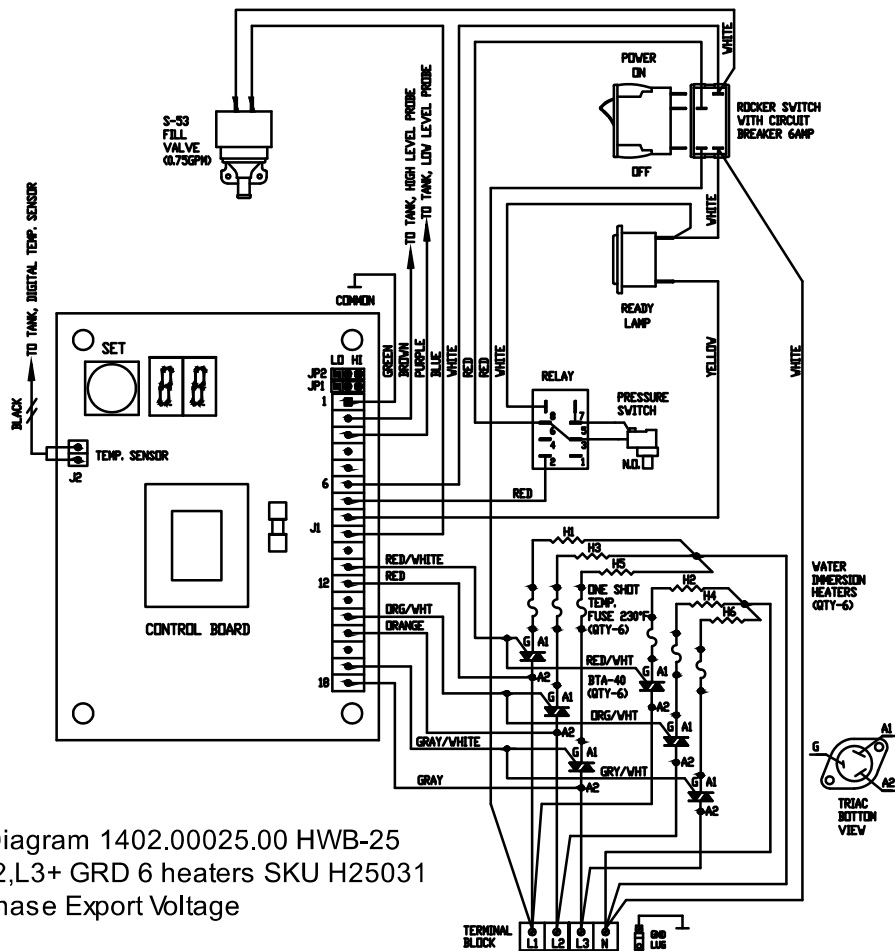


Wiring Diagram 1402.00009.00 HWB-15  
 N, L1, L2, L3+ GRD 3 heaters SKU H15041  
 Export Voltage





Wiring Diagram 1402.00006.00 HWB-25  
 N, L1, L2, L3+ GRD 6 heaters SKU H25006  
 Three Phase Domestic Voltage



Wiring Diagram 1402.00025.00 HWB-25  
 N, L1, L2, L3+ GRD 6 heaters SKU H25031  
 Three Phase Export Voltage

